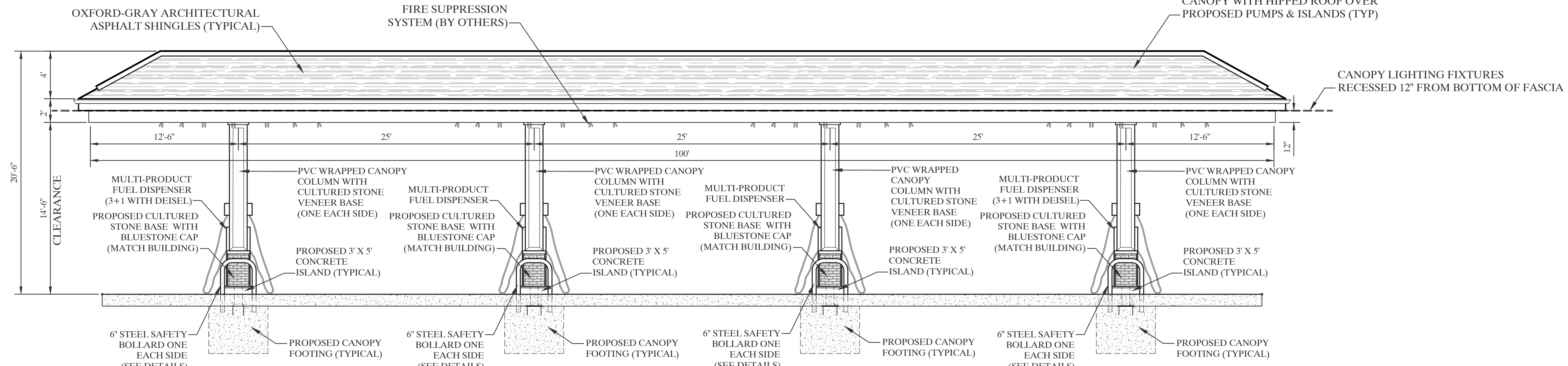


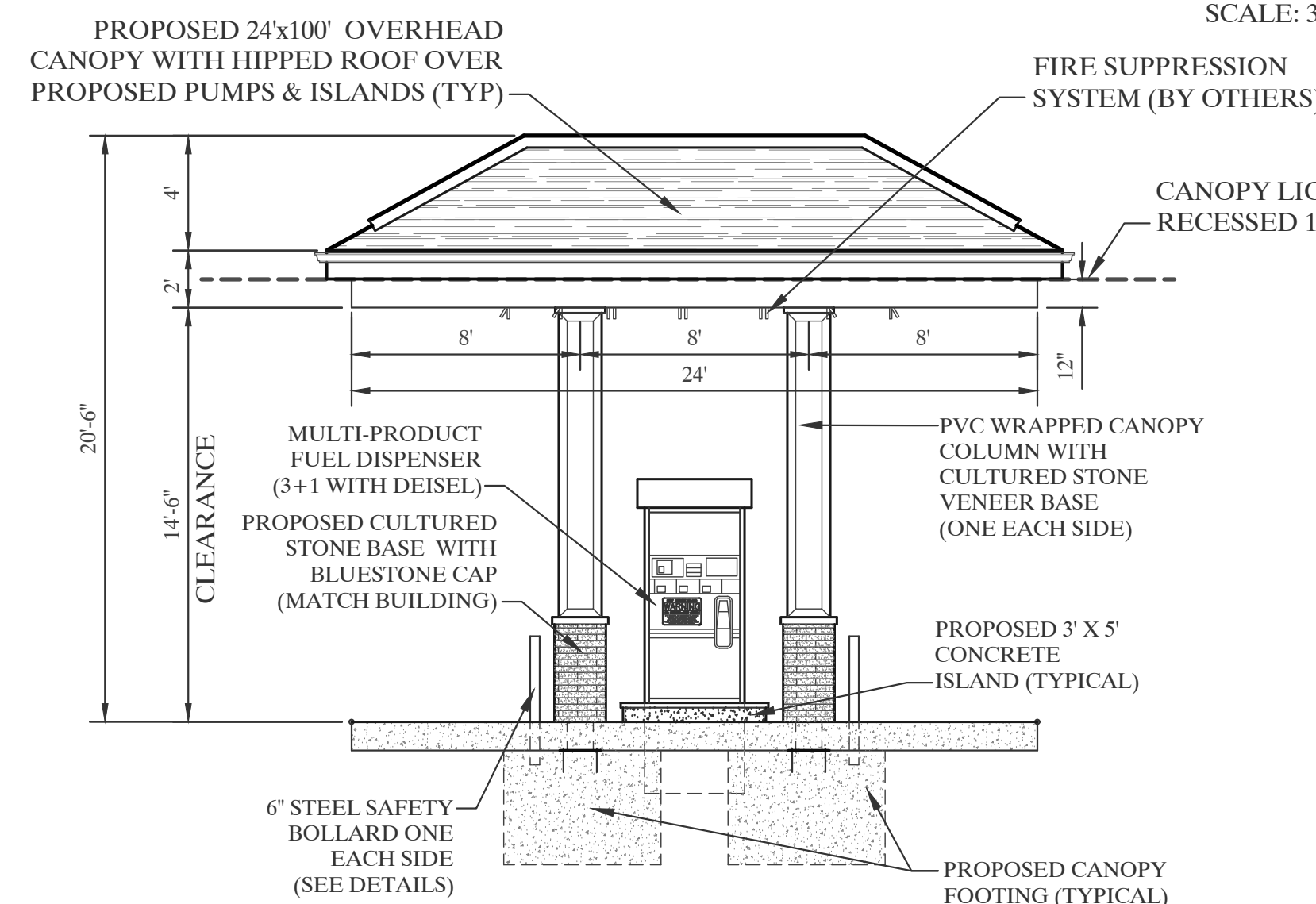
CANOPY PLAN VIEW

SCALE: 3/16" = 1'-0"



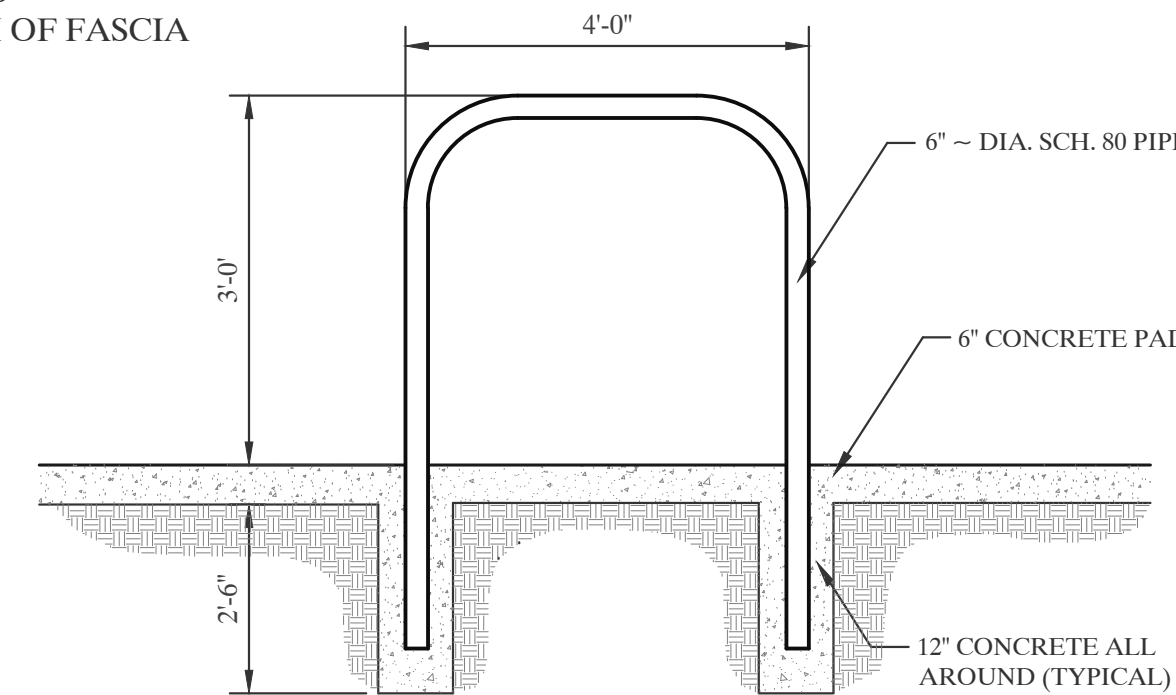
CANOPY ELEVATION (FRONT VIEW)

SCALE: 3/16" = 1'-0"



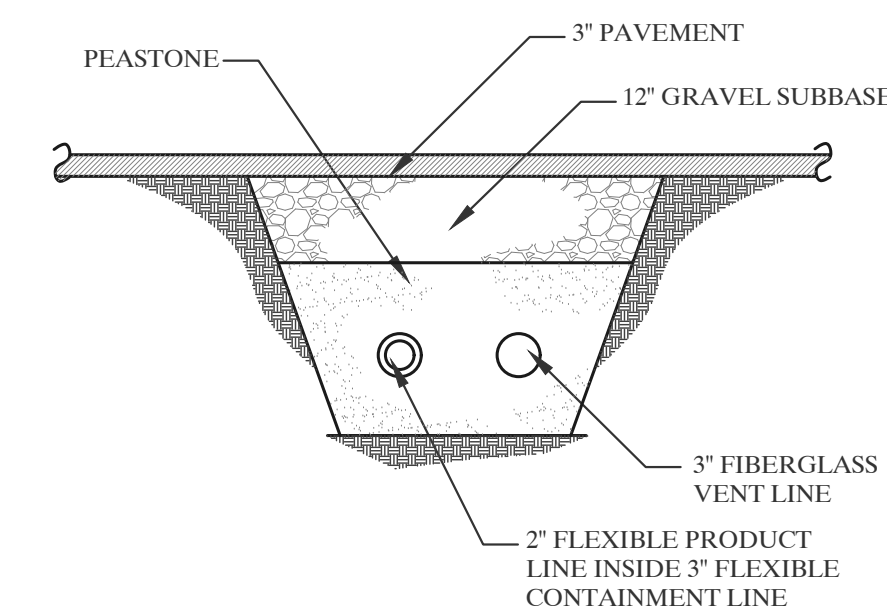
CANOPY ELEVATION (SIDE VIEW)

SCALE: 3/16" = 1'-0"



TYPE "U" BUMPER DETAIL

NOT TO SCALE



TYPICAL TRENCH DETAIL

NOT TO SCALE



Revisions		
No.	Date	Description
1	07/24/2020	Revised Plans
2	09/08/2020	Addressed Peer Review Comments
3	11/03/2020	Addressed Peer Review Comments