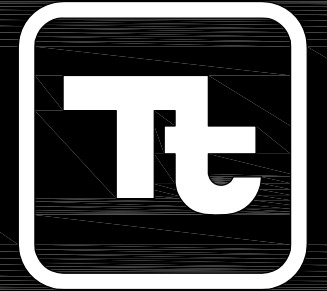


TOWN OF SCITUATE, DEPARTMENT OF PUBLIC WORKS RESERVOIR DAM WATER STORAGE AND FISH PASSAGE IMPROVEMENT PROJECT

160 Federal Street, 3rd Floor
Boston, MA 02110
Phone: (617) 443-7500 Fax: (617) 737-3480



TETRA TECH

www.tetrattech.com

PROJECT LOCATION:
SCITUATE, PLYMOUTH COUNTY
MASSACHUSETTS

Tt PROJECT No.:
194-5938

CLIENT PROJECT No.:
14-WA-13

PREPARED FOR:

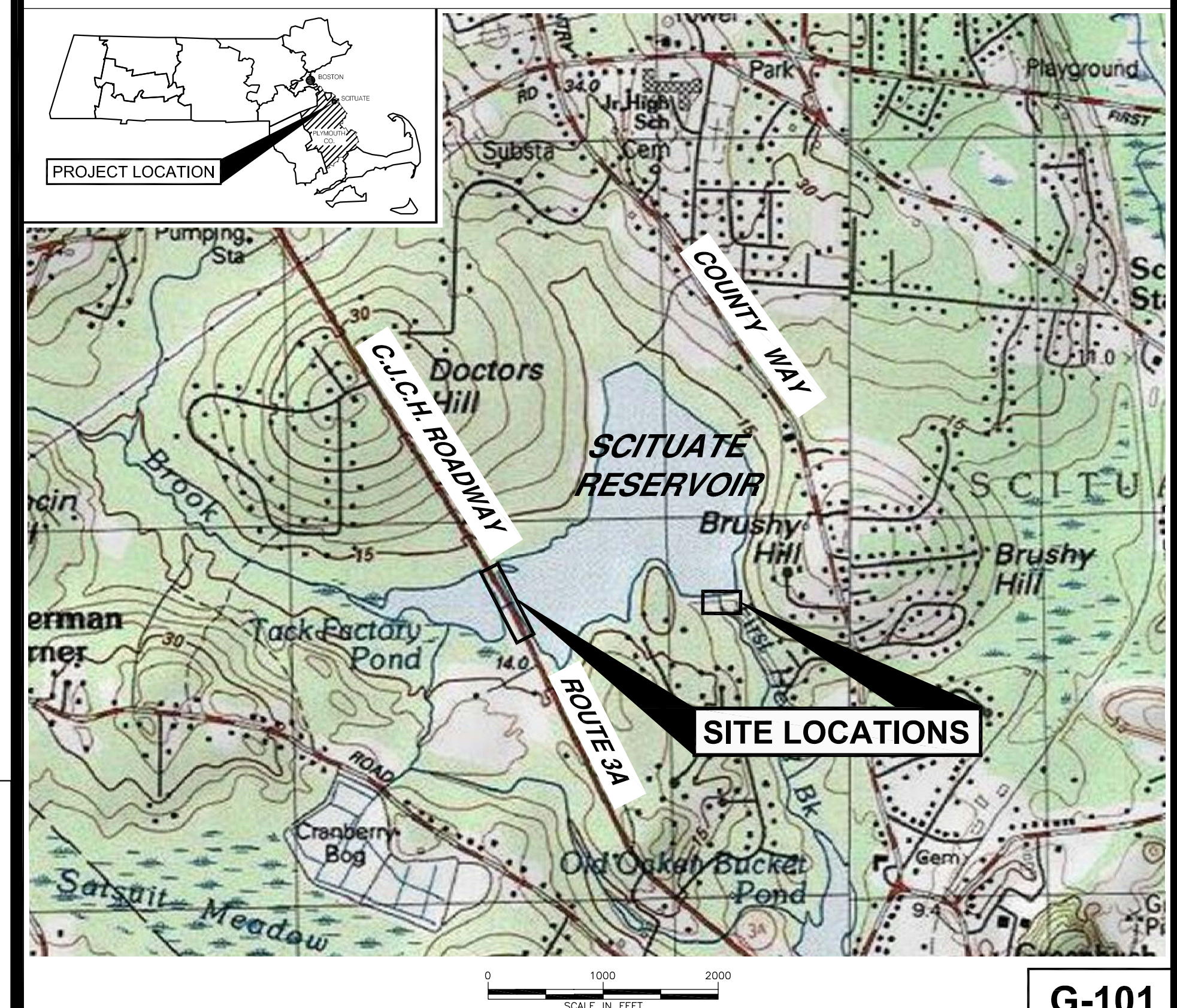


**TOWN OF SCITUATE
DEPARTMENT OF PUBLIC WORKS**
600 CHIEF JUSTICE CUSHING HIGHWAY
SCITUATE, MASSACHUSETTS 02066
TEL: 781-545-8731

ISSUED:

REV:
A - JUN. 27, 2014 - ISSUED FOR 30% DESIGN
B - MAY 03, 2017 - ISSUED FOR NOI REVIEW
C - JUN. 28, 2017 - ISSUED FOR 60% DESIGN REVIEW

VICINITY MAP:



PROJECT GENERAL LOCATION
SCALE IN FEET: 0, 400, 800



FISH PASSAGE SITE
SCALE IN FEET: 0, 30, 60

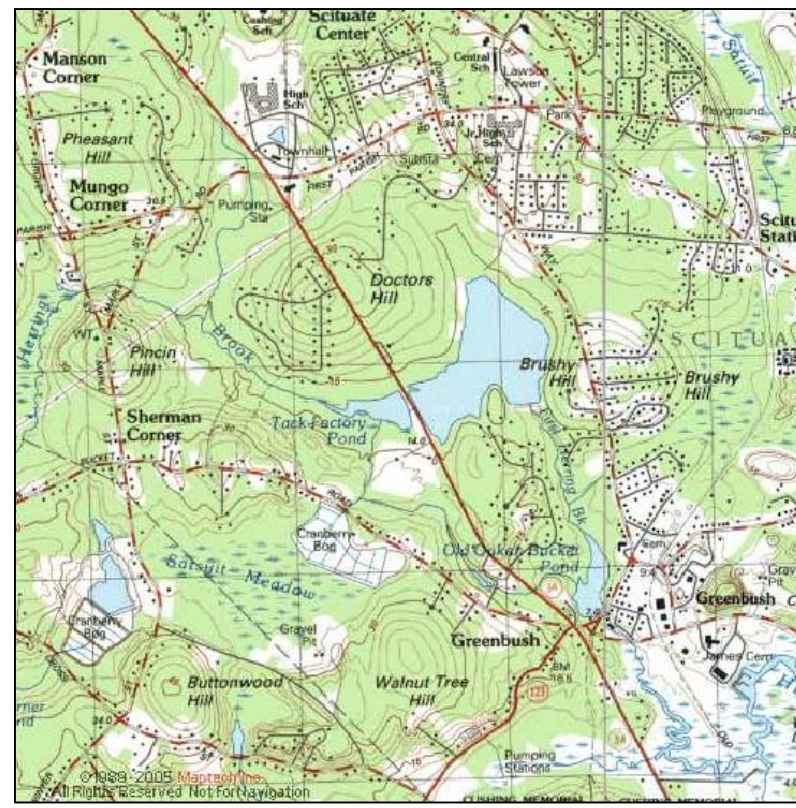


ROUTE 3A SITE
SCALE IN FEET: 0, 100, 200

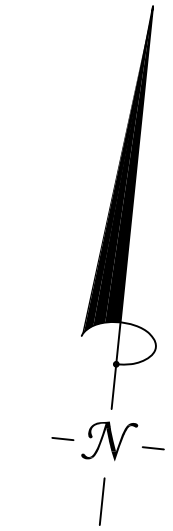
INDEX TO DRAWINGS	
DRAWING NO.	DRAWING TITLE
G-101	COVER SHEET AND INDEX TO DRAWINGS
G-102	GENERAL NOTES
C-101	EXISTING CONDITIONS PLAN - ROUTE 3A CULVERT
C-102	EXISTING CONDITONS PLAN - RESERVOIR DAM
C-103	EXISTING AND PROPOSED CONDITIONS - RESERVOIR DAM IMPOUNDMENT
C-104A	WETLANDS DELINEATION - SHEET 1 OF 6
C-104B	WETLANDS DELINEATION - SHEET 2 OF 6
C-104C	WETLANDS DELINEATION - SHEET 3 OF 6
C-104D	WETLANDS DELINEATION - SHEET 4 OF 6
C-104E	WETLANDS DELINEATION - SHEET 5 OF 6
C-104F	WETLANDS DELINEATION - SHEET 6 OF 6
C-105	NOT USED
C-106	CONSTRUCTIONS ACCESS
C-107	SOIL AND EROSION CONTROL
C-108	SPILLWAY AND FISHWAY - GENERAL ARRANGEMENT
C-109	SPILLWAY AND FISHWAY - EXCAVATION AND DEMOLITION
C-110	SPILLWAY MODIFICATIONS - PLAN, PROFILE, AND SECTIONS
C-111	SPILLWAY MODIFICATIONS - CONCRETE AND REINFORCING STEEL DETAILS
C-112	FISHWAY MODIFICATIONS - PLAN, PROFILE, AND SECTIONS
C-113	FISHWAY MODIFICATIONS - CONCRETE AND REINFORCING STEEL DETAILS
C-114	FISHWAY MODIFICATIONS - FIXED AND REMOVABLE WEIR DETAILS
C-115	SPILLWAY AND FISHWAY - SECURITY FENCE DETAILS
C-116	SPILLWAY DISCHARGE CHANNEL MODIFICATIONS
C-117	SHERMAN DRIVE - STORMWATER CATCH BASIN AND BIOSWALE DETAILS
C-118	C.J.C.H. ROAD IMPROVEMENTS - PLAN & SECTION
C-119	TACK FACTORY POND - CONTROL GATE ACCESS DETAILS
S-201	FISHWAY EXIT CHANNEL - ISOLATION GATE DETAILS
S-202	FISHWAY REMOVABLE WEIR OPERATORS - DETAILS
S-203	SPILLWAY CREST GATE - INSTALLATION DETAILS
S-204	SPILLWAY AND FISHWAY ACCESS BRIDGE - STRUCTURAL STEEL DETAILS
S-205	FISHWAY REMOVABLE WEIR - ACCESS PLATFORM DETAILS
E-301	SPILLWAY AND FISHWAY ELECTRICAL - CONDUIT AND WIRING DETAILS
E-302	SPILLWAY AND FISHWAY ELECTRICAL - ONE-LINE DIAGRAM

NOT INCLUDED IN THIS SUBMISSION

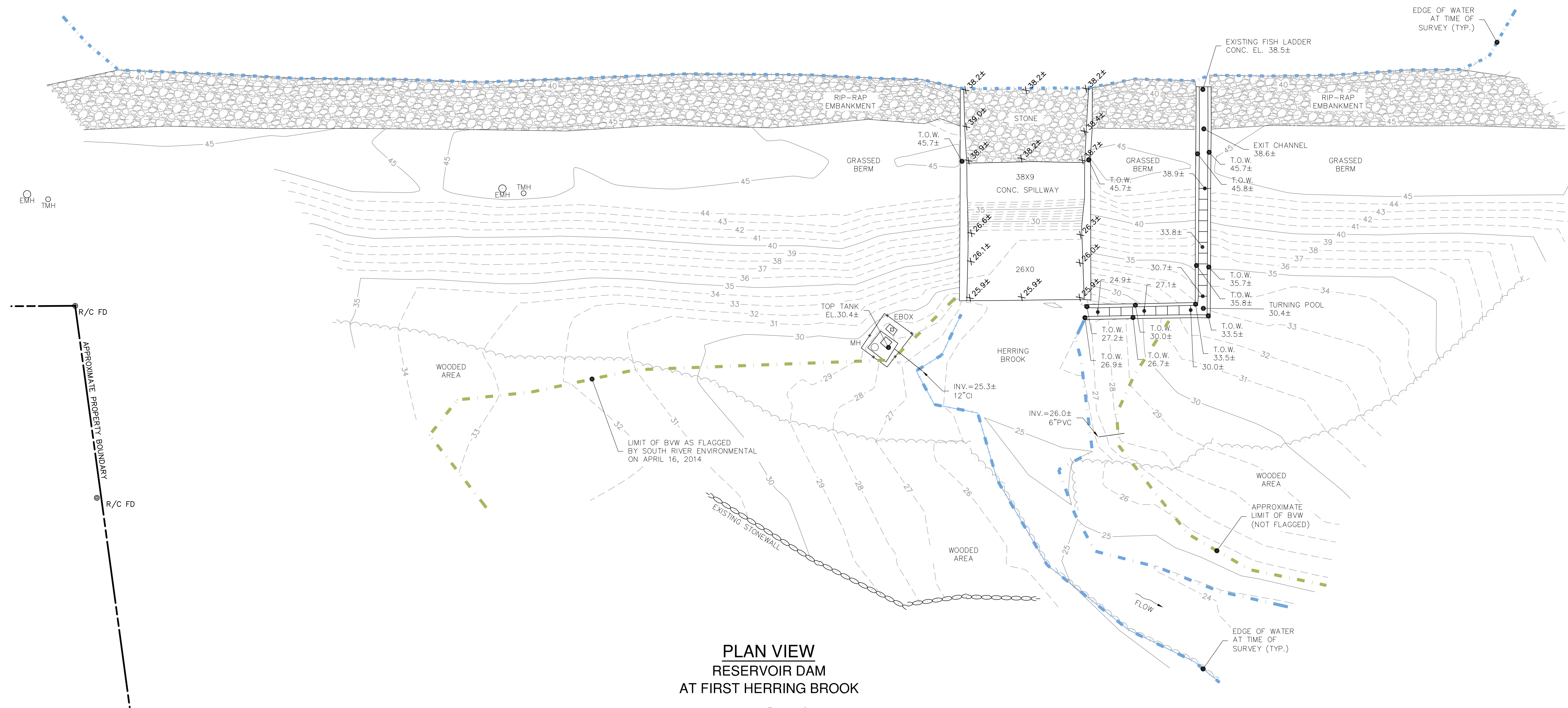
**ISSUED FOR 60% DESIGN REVIEW
- NOT FOR CONSTRUCTION -**



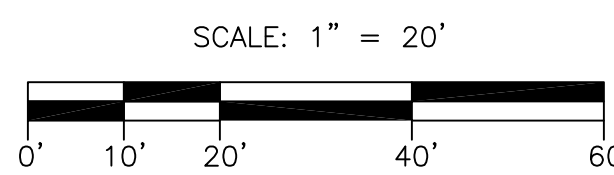
LOCUS: TACK FACTORY POND - SCITUATE, MA



SCITUATE
RESERVOIR



PLAN VIEW
RESERVOIR DAM
AT FIRST HERRING BROOK



LEGEND NOT TO SCALE			
○ DMH	DRAIN MANHOLE	--- 55 ---	EXIST. CONTOUR
○ SMH	SEWER MANHOLE	---	WETLAND BUFFER ZONE
□ CBN	CATCH BASIN	---	FLOOD ZONE
⊕ HYD	HYDRANT	---	OVERHEAD WIRES
⊗ WG	WATER GATE	⊗	STONE WALL
⊗ WS	WATER SERVICE	⊗	EXISTING TREES AND SHRUBS
⊕ UP	UTILITY POLE	⊕	TREELINE/LANDSCAPE
☆ LP	LIGHT	☆	WETLAND LINE
○ GV	GAS VALVE	○	WETLAND UPLAND

DRAWING REVISIONS		
ACTION	DATE	DESCRIPTION

DATUM:
VERTICAL REFERENCE: NAVD 1988
HORIZONTAL REFERENCE: NAD 1983
(CONVERSION: NAVD88 + 0.8 = NGVD29)

REMARKS:
LOCUS LIES IN F.I.R.M. ZONE AE (EL. 42 UPSTREAM OF DAM), ZONE AE (EL. 29 DOWNSTREAM OF DAM) AND FLOODWAY AREAS IN ZONE AE AS SHOWN ON COMMUNITY PANEL NO. 2502300117J DATED JULY 17, 2012.

UTILITIES:
UNDERGROUND UTILITIES SHOWN ON THIS PLAN ARE BASED UPON VISIBLE ABOVE GROUND UTILITIES AND RECORD INFORMATION OF BELOW GROUND UTILITIES AND ARE APPROXIMATE ONLY. CONTRACTOR IS RESPONSIBLE FOR TAKING ALL NECESSARY PRECAUTIONS BEFORE BEGINNING ANY EXCAVATION. (DIGSAFE 1-800-322-4844)

SURVEY NOTES:
1. THIS PLAN IS THE RESULT OF AN ON THE GROUND FIELD CONDUCTED BY CAVANARO CONSULTING, INC. IN APRIL/MAY 2014.
2. ANY EASEMENTS SHOWN HEREON ARE IN ACCORDANCE WITH CURRENT RECORD DESCRIPTIONS AND/OR THOSE THAT ARE VISIBLE OR OF PUBLIC RECORD.

EXISTING CONDITIONS NOTE:
THE PURPOSE OF THIS PLAN IS TO ILLUSTRATE THE SITE CONDITIONS FOUND AT THE TIME OF FIELD SURVEY CONDUCTED BY CAVANARO CONSULTING, INC. CAVANARO CONSULTING, INC. HAS NOT PREPARED AND/OR PROVIDED ANY PERMIT PLANS FOR THIS PROJECT TO DATE. THE STATUS OF ANY OPEN PERMITS IS NOT KNOWN. THIS PLAN DOES NOT EXPRESS OR IMPLY COMPLIANCE WITH CURRENT ZONING BYLAWS AND/OR OTHER REGULATORY AGENCY THRESHOLDS.



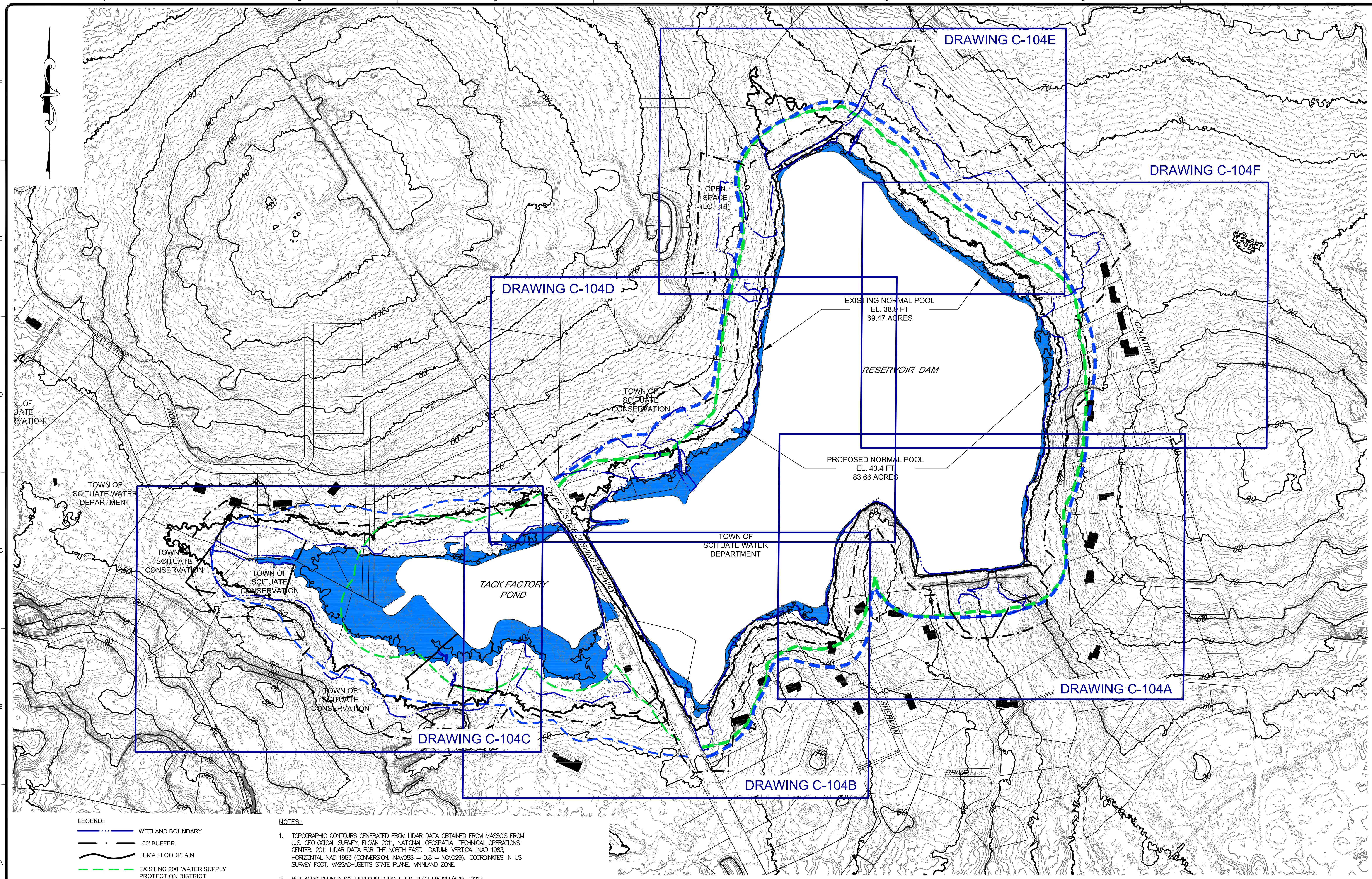
CAVANARO CONSULTING
687 MAIN STREET
P.O. BOX 5175
NORWELL, MASSACHUSETTS 02061
PHONE: 781.659.8187
FAX: 781.659.8186

EXISTING CONDITIONS PLAN
RESERVOIR DAM
SCITUATE, MA

PREPARED FOR:
TOWN OF SCITUATE
ENGINEERING DIVISION
SCITUATE, MA 02066

PROJECT NO. : 14.029	DRAWING NO.
SCALE : AS SHOWN	C-102
DATE : 05.15.14	
DESIGNED BY : -	SHEET NO. 1 OF 1
DRAWN BY : DB	FILENAME:
CHECKED BY : BPS	X:\PROJECTS\2014\14029\DWG\14029_NEW.DWG

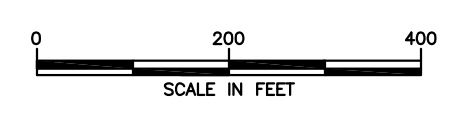
6/26/2017 1:59:55 PM - D:\CAD-TEMP FILES\PROJECTS\... SCITUATE RESERVOIR DAM-4961 (CAD-60% DESIGN)\WORKING\WORKING-60%_REV C DRAWINGS\4961_12_C-103-REV C.DWG - MENCHIELLI, FOSTER



LEGEND:

	WETLAND BOUNDARY
	100' BUFFER
	FEMA FLOODPLAIN
	EXISTING 200' WATER SUPPLY PROTECTION DISTRICT
	PROPOSED 200' WATER SUPPLY PROTECTION DISTRICT
	200' RIVERFRONT AREA
	WETLAND FLAG IDENTIFICATION AND ELEVATION (IN FEET)

- NOTES:**
1. TOPOGRAPHIC CONTOURS GENERATED FROM LIDAR DATA OBTAINED FROM MASSGIS FROM U.S. GEOLOGICAL SURVEY, FLOWN 2011, NATIONAL GEOSPATIAL TECHNICAL OPERATIONS CENTER, 2011 LIDAR DATA FOR THE NORTH EAST. DATUM: VERTICAL NAD 1983, HORIZONTAL NAD 1983 (CONVERSION: NAVD88 = 0.8 = NAD83). COORDINATES IN US SURVEY FOOT, MASSACHUSETTS STATE PLANE, MAINLAND ZONE.
 2. WETLANDS DELINEATION PERFORMED BY TETRA TECH MARCH/APRIL 2017.
 3. FOR LEGEND, SEE SHEET C-101.



**ISSUED FOR 60% DESIGN REVIEW
- NOT FOR CONSTRUCTION -**

TETRA TECH
www.tetra.tech.com
160 Federal Street, 3rd Floor
Boston, MA 02110
Phone: (617) 443-7500 Fax: (617) 737-9480

PREPARED FOR:
**TOWN OF SCITUATE
DEPARTMENT OF PUBLIC WORKS**
600 CHIEF JUSTICE CUSHING HIGHWAY
SCITUATE, MASSACHUSETTS 02066
TEL: 781-946-4971

MARK	DATE	DESCRIPTION	TC	TC
C	06/28/17	ISSUED FOR 60% DESIGN REVIEW		TC
B	05/03/17	ISSUED FOR NOT REVIEW		TC

RESERVOIR WATER STORAGE AND FISH PASSAGE IMPROVEMENT PROJECT
SCITUATE, PLYMOUTH COUNTY, MASSACHUSETTS

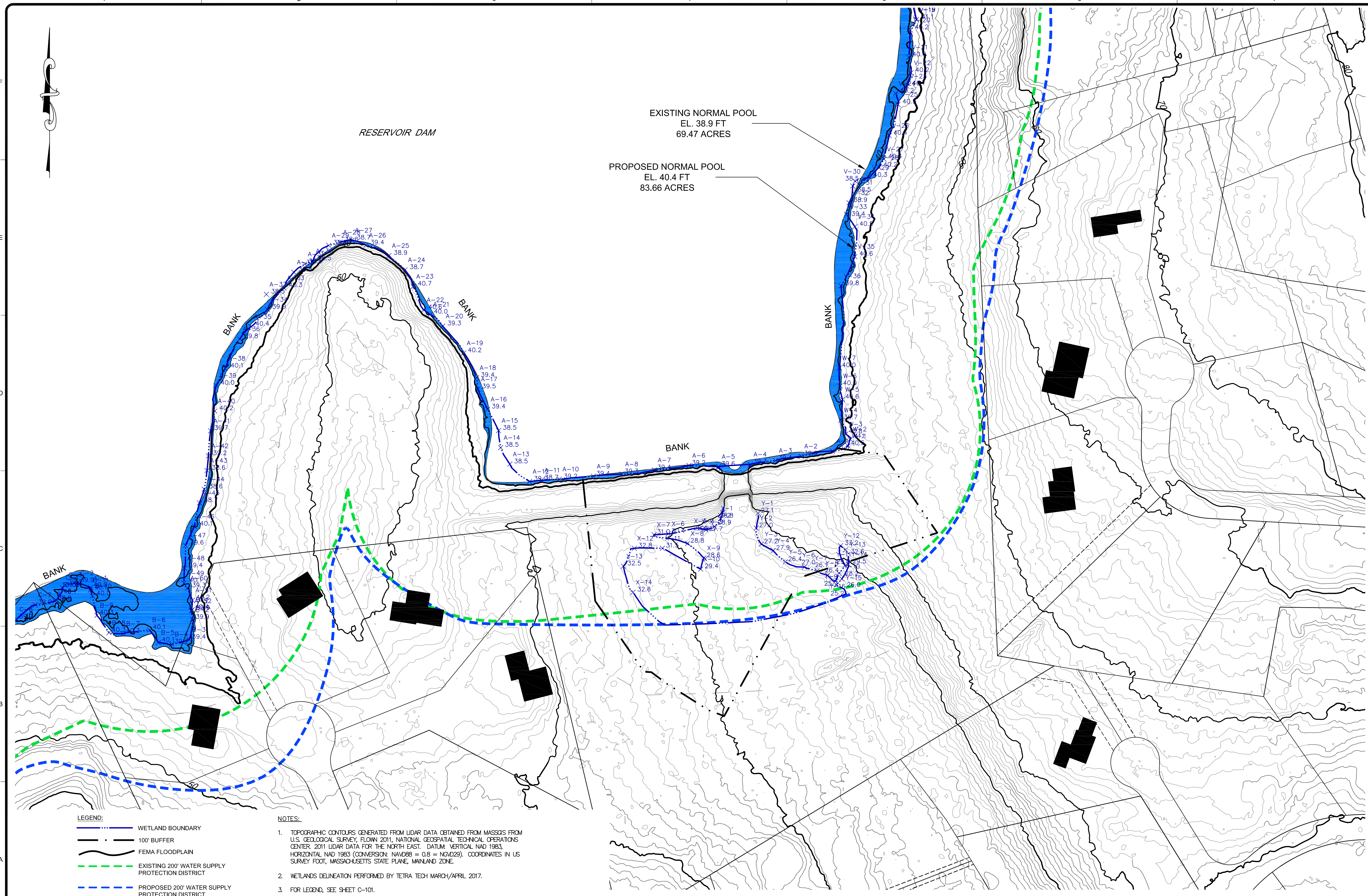
**EXISTING AND PROPOSED CONDITIONS
RESERVOIR DAM IMPOUNDMENT**

Project No.: 194-5938
Designed By: T. Cook
Drawn By: F. Menichelli
Checked By: M. Worthy

C-103

Copyright: Tetra Tech

6/26/2017 2:01:55 PM - D:\CAD-TEMP FILES\PROJECTS\...SITUATE RESERVOIR DAM-4961 (CAD-60% DESIGN)\WORKING\WORKING-60%_REV C DRAWINGS\4961_12_C-104A-REV C.DWG - MENCHIELLI, FOSTER



- LEGEND:**
- WETLAND BOUNDARY
 - 100' BUFFER
 - ~ FEMA FLOODPLAIN
 - EXISTING 200' WATER SUPPLY PROTECTION DISTRICT
 - PROPOSED 200' WATER SUPPLY PROTECTION DISTRICT
 - 200' RIVERFRONT AREA
 - X-A-13 38.5 WETLAND FLAG IDENTIFICATION AND ELEVATION (IN FEET)

- NOTES:**
1. TOPOGRAPHIC CONTOURS GENERATED FROM LIDAR DATA OBTAINED FROM MASSGIS FROM U.S. GEOLOGICAL SURVEY, FLOWN 2011, NATIONAL GEOSPATIAL TECHNICAL OPERATIONS CENTER 2011 LIDAR DATA FOR THE NORTH EAST. DATUM: VERTICAL NAD 1983, HORIZONTAL NAD 1983 (CONVERSION: NAVD83 = 0.9 = NGVD29). COORDINATES IN US SURVEY FOOT, MASSACHUSETTS STATE PLANE, MAINLAND ZONE.
 2. WETLANDS DELINEATION PERFORMED BY TETRA TECH MARCH/APRIL 2017.
 3. FOR LEGEND, SEE SHEET C-101.

EXISTING NORMAL POOL
EL. 38.9 FT
69.47 ACRES

PROPOSED NORMAL POOL
EL. 40.4 FT
83.66 ACRES

TETRA TECH

www.tetra.tech.com
160 Federal Street, 3rd Floor
Boston, MA 02110
Phone: (617) 443-7500 Fax: (617) 737-9480

PREPARED FOR:
**TOWN OF SITUATE
DEPARTMENT OF PUBLIC WORKS**
600 CHIEF JUSTICE CUSHING HIGHWAY
SITUATE, MASSACHUSETTS 02066
TEL: (617) 646-4731

MARK	DATE	DESCRIPTION
C	06/28/17	ISSUED FOR 60% DESIGN REVIEW
B	05/03/17	ISSUED FOR NOT REVIEW

RESERVOIR DAM WATER STORAGE AND FISH PASSAGE IMPROVEMENT PROJECT
SITUATE, PLYMOUTH COUNTY, MASSACHUSETTS

**WETLANDS DELINEATION
SHEET 1 OF 6**

Project No.:	194-5938
Designed By:	T. Cook
Drawn By:	F. Menichelli
Checked By:	N. Marone

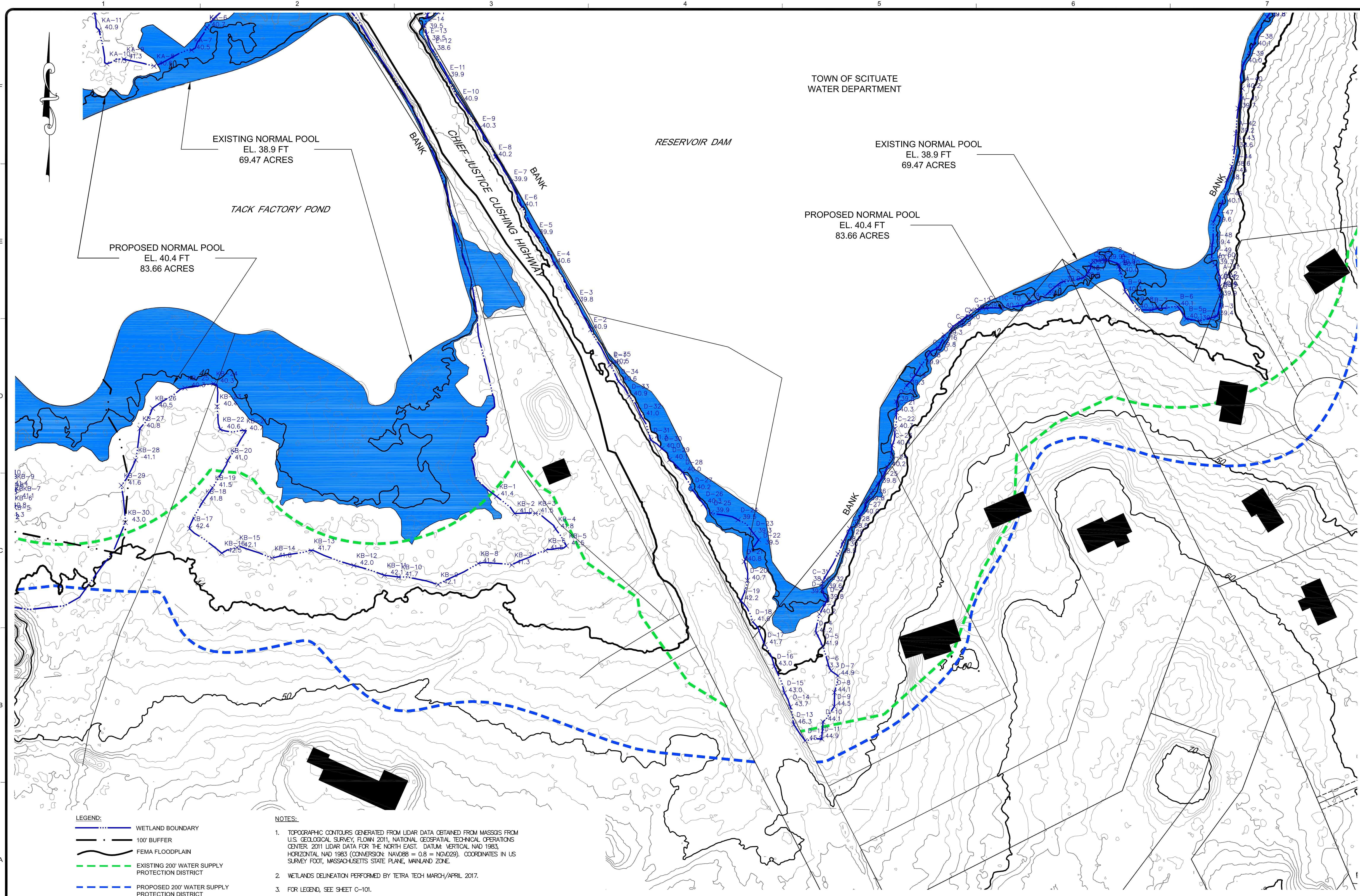
**ISSUED FOR 60% DESIGN REVIEW
- NOT FOR CONSTRUCTION -**

C-104A

Copyright: Tetra Tech

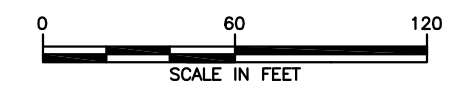
CAD FILE: 4961_12_C-104A-REV C.DWG

6/26/2017 2:03:05 PM - D:\CAD-TEMP FILES\PROJECTS\...SCITUATE RESERVOIR DAM-4961\ (CAD-60% DESIGN)\CAD\60% DESIGN\WORKING\WORKING-60%_REV C DRAWINGS\4961_12_C-104B-REV C.DWG - MENCHIELLI, FOSTER



- LEGEND:**
- WETLAND BOUNDARY
 - 100' BUFFER
 - FEMA FLOODPLAIN
 - EXISTING 200' WATER SUPPLY PROTECTION DISTRICT
 - PROPOSED 200' WATER SUPPLY PROTECTION DISTRICT
 - 200' RIVERFRONT AREA
 - WETLAND FLAG IDENTIFICATION AND ELEVATION (IN FEET)

- NOTES:**
1. TOPOGRAPHIC CONTOURS GENERATED FROM LIDAR DATA OBTAINED FROM MASSGIS FROM U.S. GEOLOGICAL SURVEY, FLOWN 2011, NATIONAL GEOSPATIAL TECHNICAL OPERATIONS CENTER 2011 LIDAR DATA FOR THE NORTH EAST. DATUM: VERTICAL NAD 1983, HORIZONTAL NAD 1983 (CONVERSION: NAD08 = 0.8 = NAD029). COORDINATES IN US SURVEY FOOT, MASSACHUSETTS STATE PLANE, MAINLAND ZONE.
 2. WETLANDS DELINEATION PERFORMED BY TETRA TECH MARCH/APRIL 2017.
 3. FOR LEGEND, SEE SHEET C-101.



TOWN OF SCITUATE
WATER DEPARTMENT

EXISTING NORMAL POOL
EL. 38.9 FT
69.47 ACRES

PROPOSED NORMAL POOL
EL. 40.4 FT
83.66 ACRES

EXISTING NORMAL POOL
EL. 38.9 FT
69.47 ACRES

PROPOSED NORMAL POOL
EL. 40.4 FT
83.66 ACRES

**ISSUED FOR 60% DESIGN REVIEW
- NOT FOR CONSTRUCTION -**

TETRA TECH

www.tetra.tech.com
160 Federal Street, 3rd Floor
Boston, MA 02110
Phone: (617) 443-7500 Fax: (617) 737-9480

PREPARED FOR:
**TOWN OF SCITUATE
DEPARTMENT OF PUBLIC WORKS**
600 CHIEF JUSTICE CUSHING HIGHWAY
SCITUATE, MASSACHUSETTS 02066
TEL: (617) 646-4731

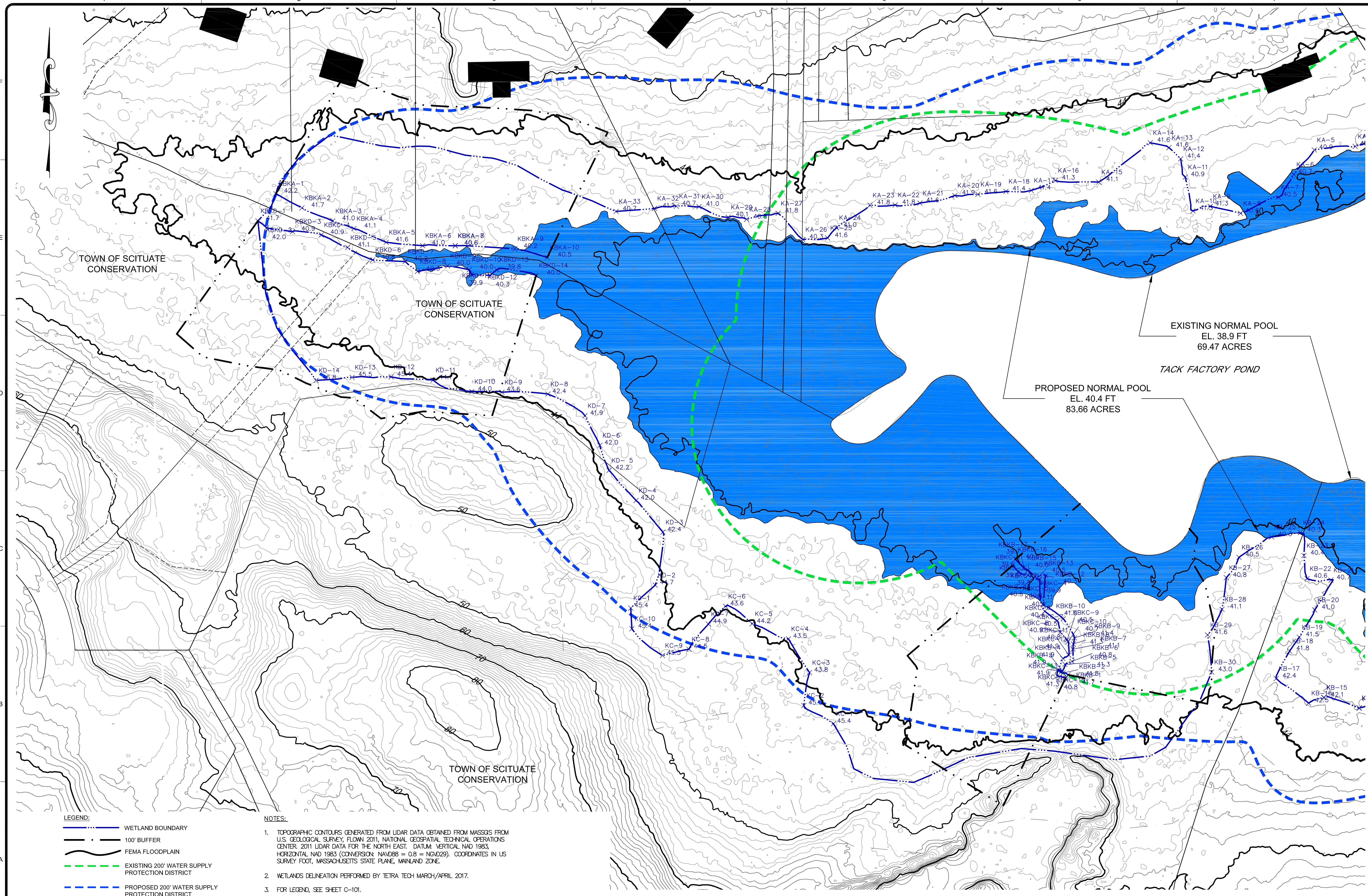
MARK	DATE	DESCRIPTION	BY
C	06/28/17	ISSUED FOR 60% DESIGN REVIEW	TC
B	05/03/17	ISSUED FOR NOT REVIEW	TC

RESERVOIR DAM WATER STORAGE AND FISH PASSAGE IMPROVEMENT PROJECT
SCITUATE, PLYMOUTH COUNTY, MASSACHUSETTS

Project No.: 194-5938
Designed By: T. Cook
Drawn By: F. Menichelli
Checked By: N. Marone

C-104B

6/26/2017 2:03:58 PM - D:\CAD-TEMP FILES\PROJECTS\SCITUATE RESERVOIR DAM-4961\CAD-60% DESIGN\WORKING\WORKING-60%_REV C DRAWINGS\4961_12_C-104C-REV C.DWG - MENCHIELLI, FOSTER



- LEGEND:**
- WETLAND BOUNDARY
 - 100' BUFFER
 - FEMA FLOODPLAIN
 - EXISTING 200' WATER SUPPLY PROTECTION DISTRICT
 - PROPOSED 200' WATER SUPPLY PROTECTION DISTRICT
 - 200' RIVERFRONT AREA
 - WETLAND FLAG IDENTIFICATION AND ELEVATION (IN FEET)

- NOTES:**
1. TOPOGRAPHIC CONTOURS GENERATED FROM LIDAR DATA OBTAINED FROM MASSGIS FROM U.S. GEOLOGICAL SURVEY, FLOWN 2011, NATIONAL GEOSPATIAL TECHNICAL OPERATIONS CENTER 2011 LIDAR DATA FOR THE NORTH EAST. DATUM: VERTICAL NAD 1983, HORIZONTAL NAD 1983 (CONVERSION NAVD83 = 0.8 + NAVD29). COORDINATES IN US SURVEY FOOT, MASSACHUSETTS STATE PLANE, MAINLAND ZONE.
 2. WETLANDS DELINEATION PERFORMED BY TETRA TECH MARCH/APRIL 2017.
 3. FOR LEGEND, SEE SHEET C-101.

TETRA TECH

www.tetra-tech.com
160 Federal Street, 3rd Floor
Boston, MA 02110
Phone: (617) 443-7500 Fax: (617) 737-5480

PREPARED FOR:
**TOWN OF SCITUATE
DEPARTMENT OF PUBLIC WORKS**
600 CHIEF JUSTICE CUSHING HIGHWAY
SCITUATE, MASSACHUSETTS 01966
TEL: 508-464-9751

MARK	DATE	DESCRIPTION	BY	TC
C	06/28/17	ISSUED FOR 60% DESIGN REVIEW		TC
B	05/03/17	ISSUED FOR NOT REVIEW		TC

RESERVOIR DAM WATER STORAGE AND FISH PASSAGE IMPROVEMENT PROJECT
SCITUATE, PLYMOUTH COUNTY, MASSACHUSETTS

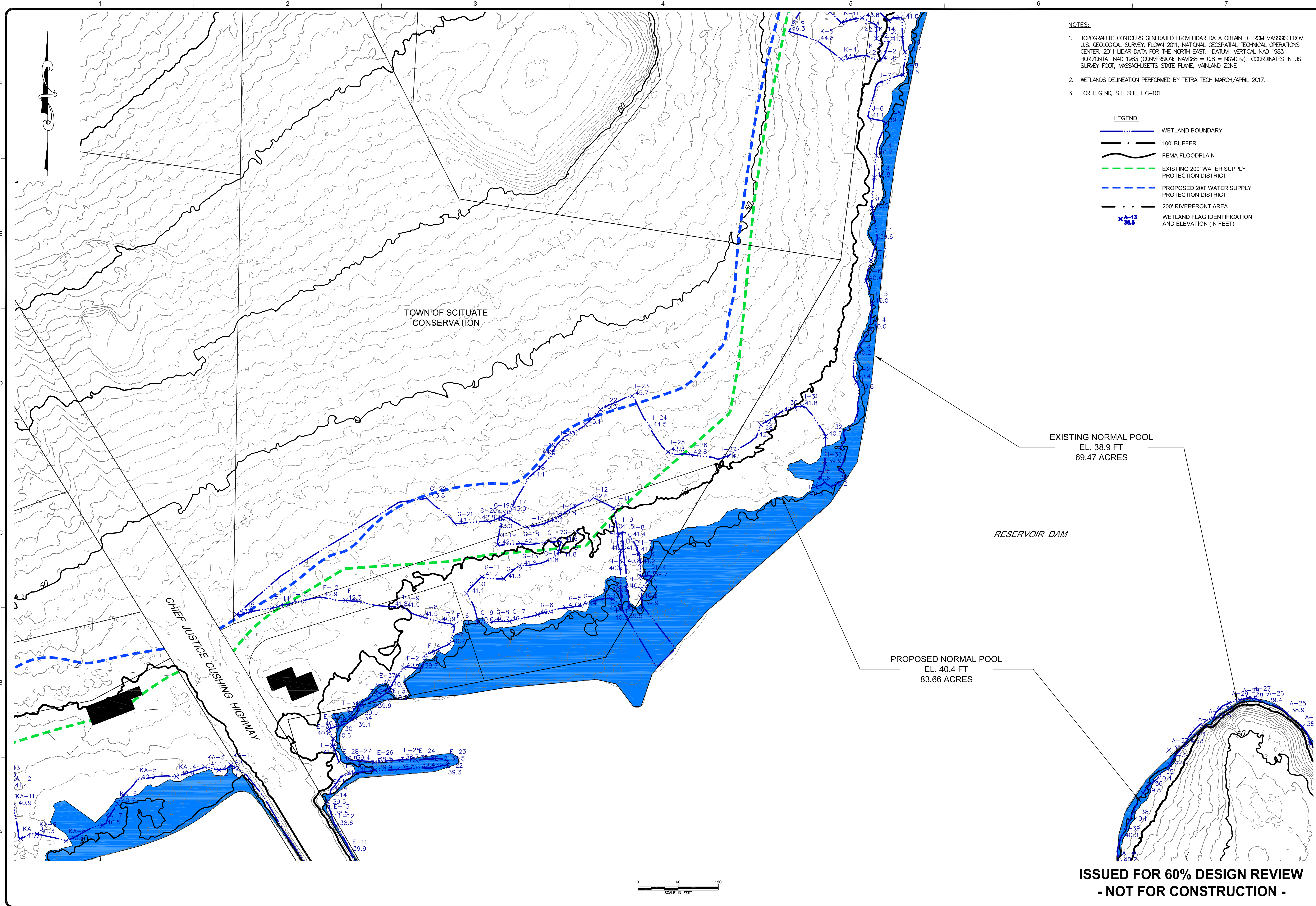
**WETLANDS DELINEATION
SHEET 3 OF 6**

Project No.: 194-5938
Designed By: T. Cook
Drawn By: F. Menichelli
Checked By: N. Marone

**ISSUED FOR 60% DESIGN REVIEW
- NOT FOR CONSTRUCTION -**

C-104C

6/26/2017 2:04:54 PM - D:\CAD-TEMP FILES\PROJECTS\...SCITUATE RESERVOIR DAM-4961 (CAD-60% DESIGN)\WORKING\WORKING-60%_REV C DRAWINGS\4961_12_C-104D-REV C.DWG - MENICHELLI, FOSTER



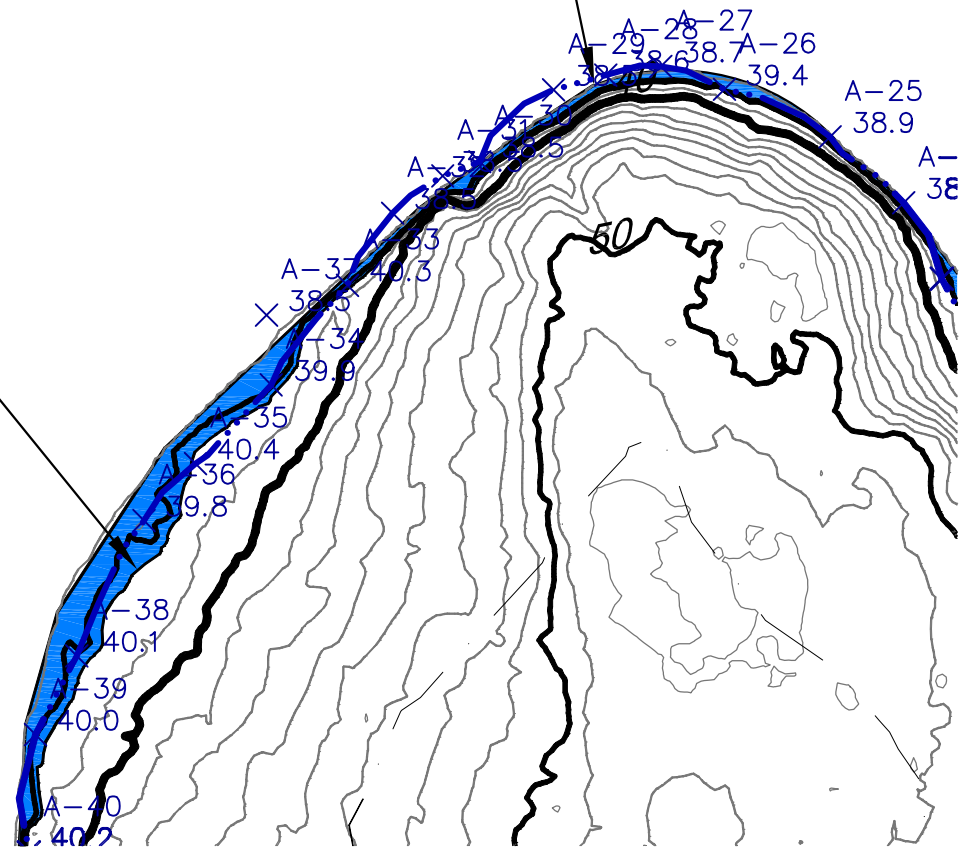
- NOTES:
1. TOPOGRAPHIC CONTOURS GENERATED FROM LIDAR DATA OBTAINED FROM MASSGIS FROM U.S. GEOLOGICAL SURVEY, FLOWN 2011, NATIONAL GEOSPATIAL TECHNICAL OPERATIONS CENTER, 2011 LIDAR DATA FOR THE NORTH EAST. DATUM: VERTICAL NAD 1983, HORIZONTAL NAD 1983 (CONVERSION NAVD83 = 0.8 = NAD83). COORDINATES IN US SURVEY FOOT, MASSACHUSETTS STATE PLANE, MAINLAND ZONE.
 2. WETLANDS DELINEATION PERFORMED BY TETRA TECH MARCH/APRIL 2017.
 3. FOR LEGEND, SEE SHEET C-101.

- LEGEND:
- WETLAND BOUNDARY
 - 100' BUFFER
 - FEMA FLOODPLAIN
 - EXISTING 200' WATER SUPPLY PROTECTION DISTRICT
 - PROPOSED 200' WATER SUPPLY PROTECTION DISTRICT
 - 200' RIVERFRONT AREA
 - WETLAND FLAG IDENTIFICATION AND ELEVATION (IN FEET)

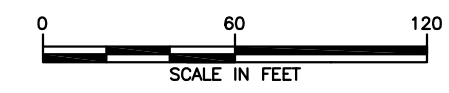
EXISTING NORMAL POOL
EL. 38.9 FT
69.47 ACRES

RESERVOIR DAM

PROPOSED NORMAL POOL
EL. 40.4 FT
83.66 ACRES



ISSUED FOR 60% DESIGN REVIEW
- NOT FOR CONSTRUCTION -



TETRA TECH
www.tetra-tech.com
160 Federal Street, 3rd Floor
Boston, MA 02110
Phone: (617) 443-7500 Fax: (617) 737-5480

PREPARED FOR:
**TOWN OF SCITUATE
DEPARTMENT OF PUBLIC WORKS**
600 CHIEF JUSTICE CUSHING HIGHWAY
SCITUATE, MASSACHUSETTS 02086
TEL: 508-464-9731

MARK	DATE	DESCRIPTION	BY
C	06/28/17	ISSUED FOR 60% DESIGN REVIEW	TC
B	05/03/17	ISSUED FOR NOT REVIEW	TC

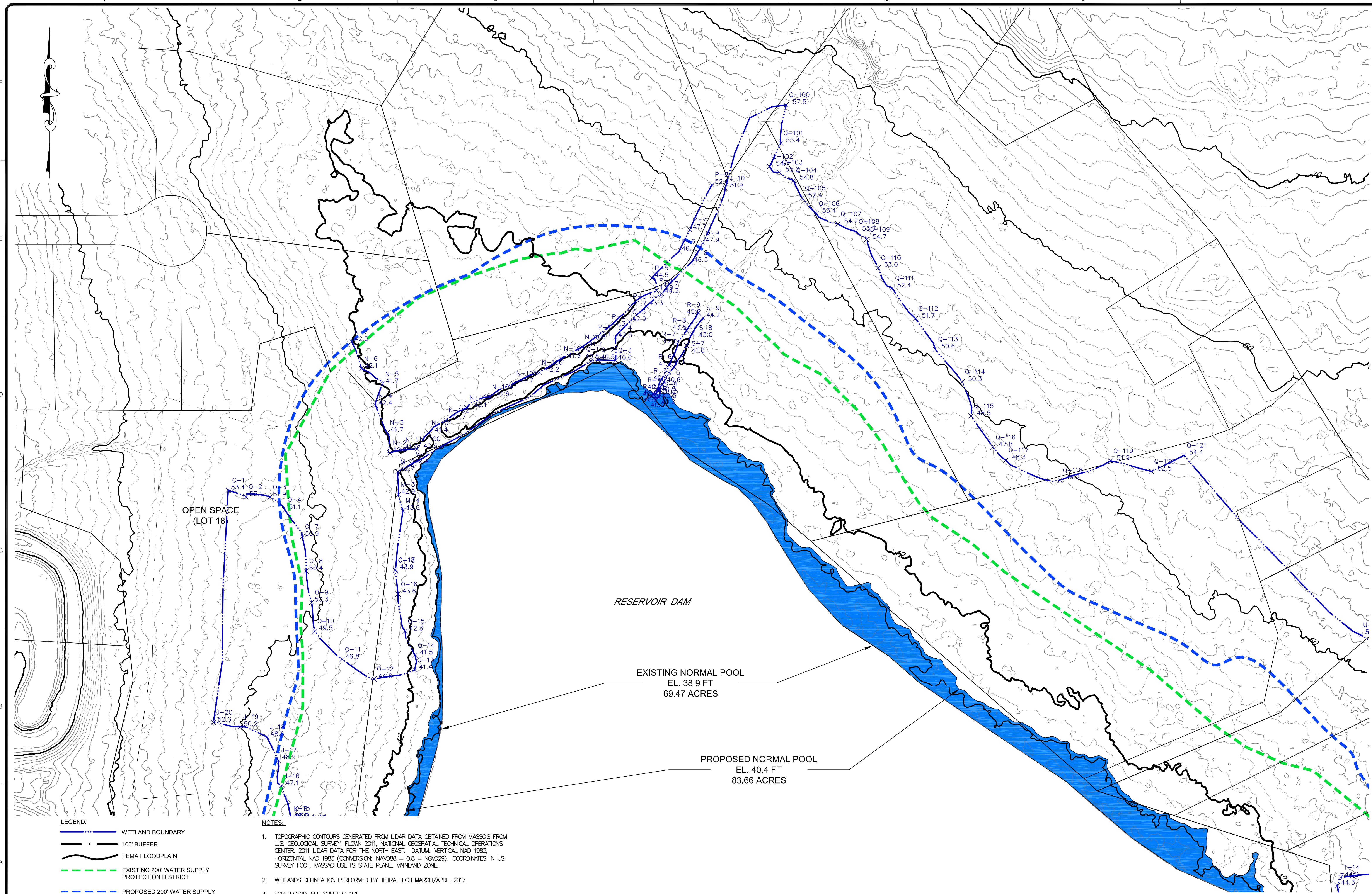
RESERVOIR WATER STORAGE AND FISH PASSAGE IMPROVEMENT PROJECT
SCITUATE, PLYMOUTH COUNTY, MASSACHUSETTS

WETLANDS DELINEATION
SHEET 4 OF 6

Project No.: 194-5938
Designed By: T. Cook
Drawn By: F. Menichelli
Checked By: N. Marone

C-104D

6/26/2017 2:05:52 PM - D:\CAD-TEMP FILES\PROJECTS\...SITUATE RESERVOIR DAM-4961 (CAD-60% DESIGN)\WORKING\WORKING-60%_REV C DRAWINGS\4961_12_C-104E-REV C.DWG - MENICHELLI, FOSTER



OPEN SPACE
(LOT 18)

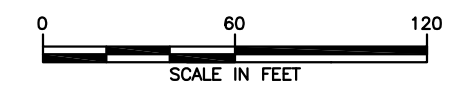
RESERVOIR DAM

EXISTING NORMAL POOL
EL. 38.9 FT
69.47 ACRES

PROPOSED NORMAL POOL
EL. 40.4 FT
83.66 ACRES

- LEGEND:**
- WETLAND BOUNDARY
 - 100' BUFFER
 - FEMA FLOODPLAIN
 - EXISTING 200' WATER SUPPLY PROTECTION DISTRICT
 - PROPOSED 200' WATER SUPPLY PROTECTION DISTRICT
 - 200' RIVERFRONT AREA
 - WETLAND FLAG IDENTIFICATION AND ELEVATION (IN FEET)

- NOTES:**
1. TOPOGRAPHIC CONTOURS GENERATED FROM LIDAR DATA OBTAINED FROM MASSGIS FROM U.S. GEOLOGICAL SURVEY, FLOWN 2011, NATIONAL GEOSPATIAL TECHNICAL OPERATIONS CENTER, 2011 LIDAR DATA FOR THE NORTH EAST. DATUM: VERTICAL NAD 1983, HORIZONTAL NAD 1983 (CONVERSION: NAVD88 = 0.8 = NGVD29). COORDINATES IN US SURVEY FOOT, MASSACHUSETTS STATE PLANE, MAINLAND ZONE.
 2. WETLANDS DELINEATION PERFORMED BY TETRA TECH MARCH/APRIL 2017.
 3. FOR LEGEND, SEE SHEET C-101.



**ISSUED FOR 60% DESIGN REVIEW
- NOT FOR CONSTRUCTION -**

TETRA TECH
www.tetra.tech.com
160 Federal Street, 3rd Floor
Boston, MA 02109
Phone: (617) 443-7500 Fax: (617) 737-9480

TETRA TECH

PREPARED FOR:
**TOWN OF SITUATE
DEPARTMENT OF PUBLIC WORKS**
600 CHIEF JUSTICE CUSHING HIGHWAY
SITUATE, MASSACHUSETTS 02066
TEL: 781-646-4731

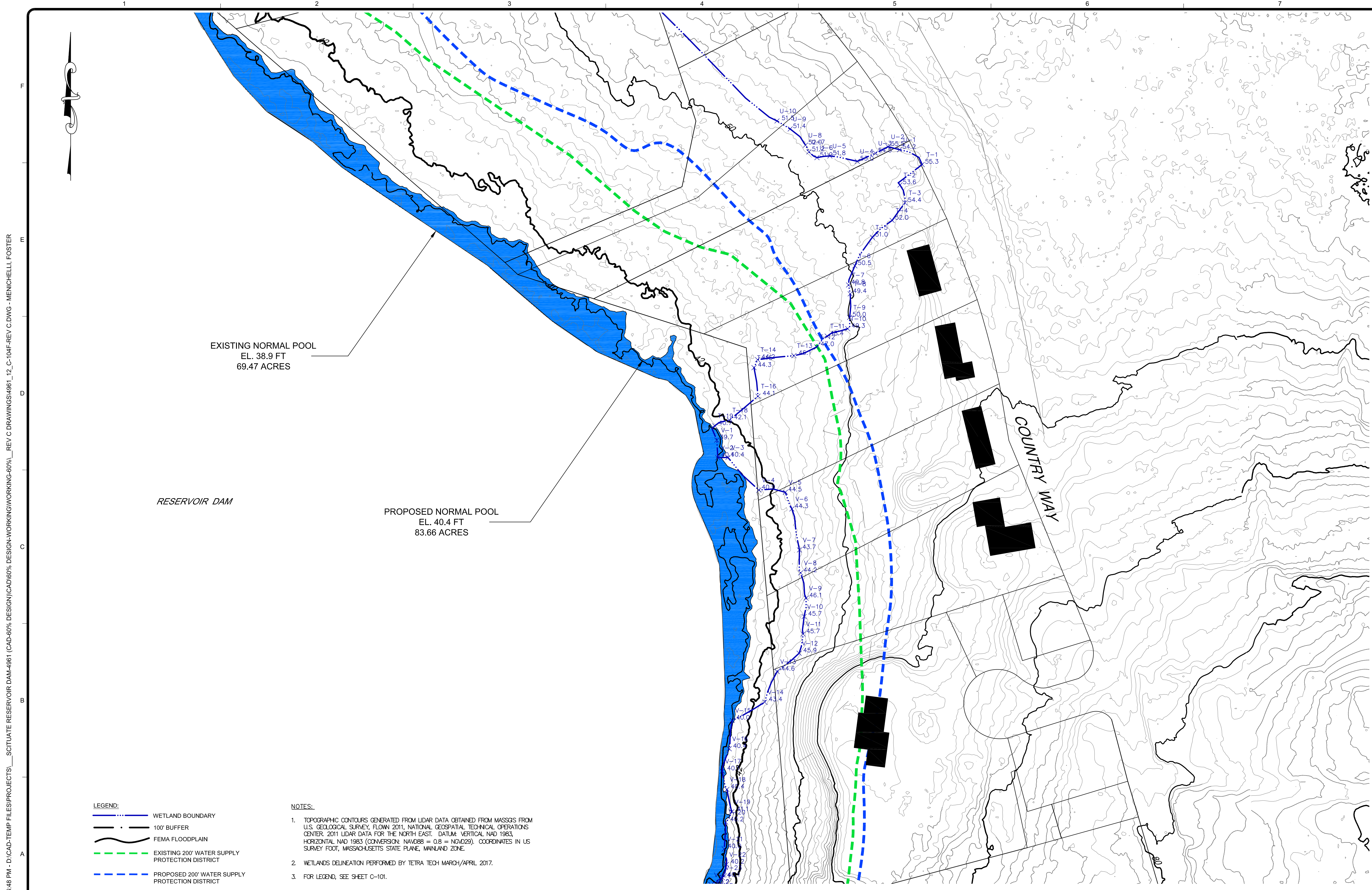
BY	DATE	DESCRIPTION
C	06/28/17	ISSUED FOR 60% DESIGN REVIEW
B	05/03/17	ISSUED FOR NOT REVIEW

RESERVOIR DAM WATER STORAGE AND FISH PASSAGE IMPROVEMENT PROJECT
SITUATE, PLYMOUTH COUNTY, MASSACHUSETTS

**WETLANDS DELINEATION
SHEET 5 OF 6**

Project No.: 194-5938
 Designed By: T. Cook
 Drawn By: F. Menicelli
 Checked By: N. Marone

C-104E



EXISTING NORMAL POOL
EL. 38.9 FT
69.47 ACRES

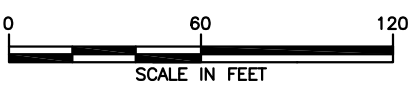
RESERVOIR DAM

PROPOSED NORMAL POOL
EL. 40.4 FT
83.66 ACRES

COUNTRY WAY

- LEGEND:**
- WETLAND BOUNDARY
 - 100' BUFFER
 - FEMA FLOODPLAIN
 - EXISTING 200' WATER SUPPLY PROTECTION DISTRICT
 - PROPOSED 200' WATER SUPPLY PROTECTION DISTRICT
 - 200' RIVERFRONT AREA
 - WETLAND FLAG IDENTIFICATION AND ELEVATION (IN FEET)

- NOTES:**
1. TOPOGRAPHIC CONTOURS GENERATED FROM LIDAR DATA OBTAINED FROM MASSGIS FROM U.S. GEOLOGICAL SURVEY, FLOWN 2011, NATIONAL GEOSPATIAL TECHNICAL OPERATIONS CENTER, 2011 LIDAR DATA FOR THE NORTH EAST. DATUM: VERTICAL NAD 1983, HORIZONTAL NAD 1983 (CONVERSION: NAVD88 = 0.8 = NVD29). COORDINATES IN US SURVEY FOOT, MASSACHUSETTS STATE PLANE, MAINLAND ZONE.
 2. WETLANDS DELINEATION PERFORMED BY TETRA TECH MARCH/APRIL 2017.
 3. FOR LEGEND, SEE SHEET C-101.



**ISSUED FOR 60% DESIGN REVIEW
- NOT FOR CONSTRUCTION -**

TETRA TECH
www.tetra.tech.com
160 Federal Street, 3rd Floor
Boston, MA 02110
Phone: (617) 443-7500 Fax: (617) 737-9480

PREPARED FOR:
**TOWN OF SCITUATE
DEPARTMENT OF PUBLIC WORKS**
600 CHIEF JUSTICE CUSHING HIGHWAY
SCITUATE, MASSACHUSETTS 02086
TEL: 508-464-9731

MARK	DATE	DESCRIPTION	BY	TC
C	06/28/17	ISSUED FOR 60% DESIGN REVIEW		TC
B	05/03/17	ISSUED FOR NOT REVIEW		TC

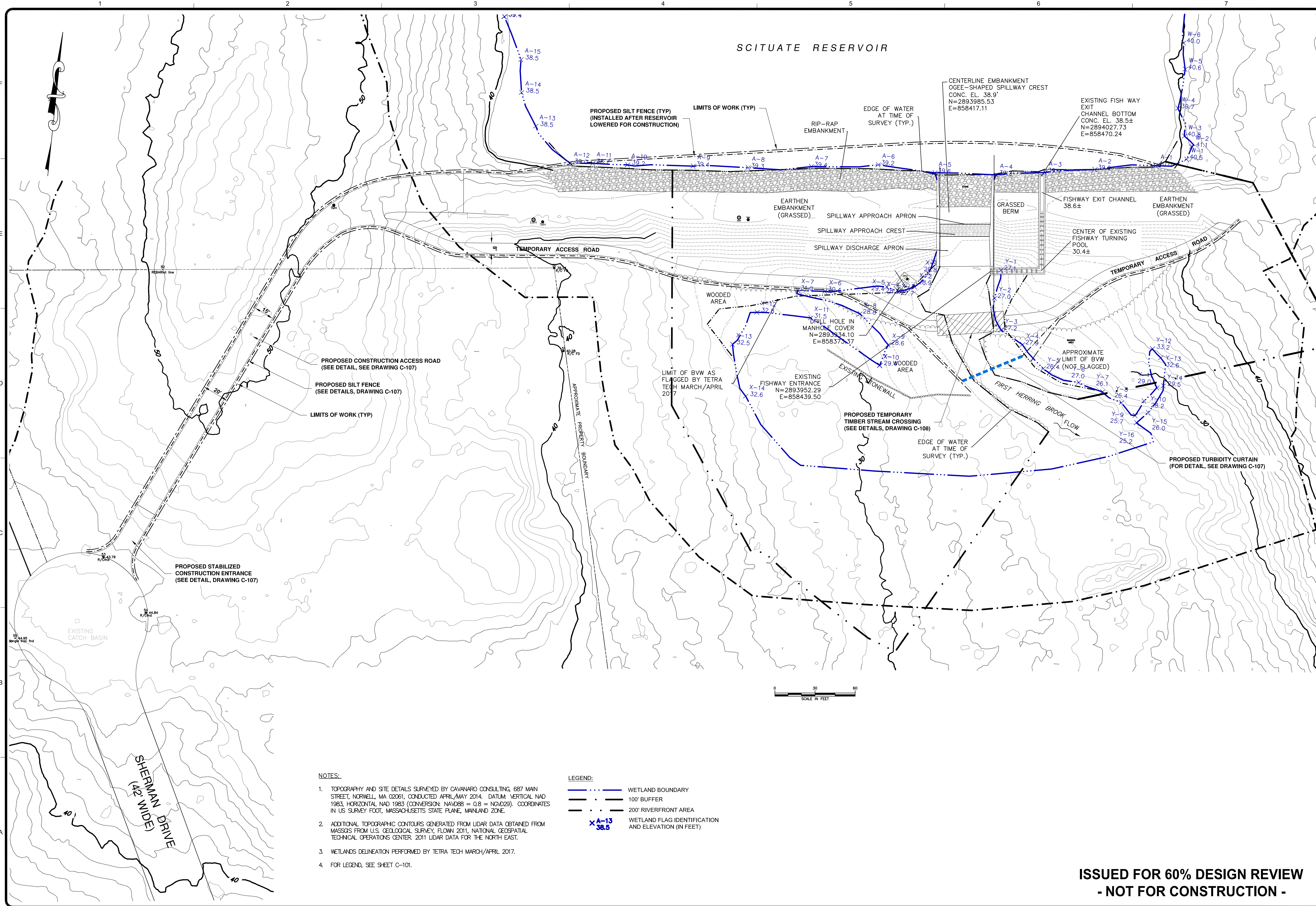
RESERVOIR DAM WATER STORAGE AND FISH PASSAGE IMPROVEMENT PROJECT
SCITUATE, PLYMOUTH COUNTY, MASSACHUSETTS

**WETLANDS DELINEATION
SHEET 6 OF 6**

Project No.: 194-5938
Designed By: T. Cook
Drawn By: F. Menichelli
Checked By: N. Marone

C-104F


6/26/2017 2:08:29 PM - D:\CAD-TEMP FILES\PROJECTS\SCITUATE RESERVOIR DAM-4961\CAD-60% DESIGN\WORKING\WORKING-60%_REV C DRAWINGS\4961_12_C-106-REV C.DWG - MENCHIELLI, FOSTER



- NOTES:**
1. TOPOGRAPHY AND SITE DETAILS SURVEYED BY CAVANARO CONSULTING, 687 MAIN STREET, NORWELL, MA 02061, CONDUCTED APRIL/MAY 2014. DATUM: VERTICAL NAD 1983, HORIZONTAL NAD 1983 (CONVERSION: NAVD88 = 0.8 = NAD83). COORDINATES IN US SURVEY FOOT, MASSACHUSETTS STATE PLANE, MAINLAND ZONE.
 2. ADDITIONAL TOPOGRAPHIC CONTOURS GENERATED FROM LIDAR DATA OBTAINED FROM MASSGIS FROM U.S. GEOLOGICAL SURVEY, FLOWN 2011, NATIONAL GEOSPATIAL TECHNICAL OPERATIONS CENTER. 2011 LIDAR DATA FOR THE NORTH EAST.
 3. WETLANDS DELINEATION PERFORMED BY TETRA TECH MARCH/APRIL 2017.
 4. FOR LEGEND, SEE SHEET C-101.

LEGEND:


	WETLAND BOUNDARY
	100' BUFFER
	200' RIVERFRONT AREA
	WETLAND FLAG IDENTIFICATION AND ELEVATION (IN FEET)



TETRA TECH

www.tetra.tech.com
160 Federal Street, 3rd Floor
Boston, MA 02110
Phone: (617) 443-7500 Fax: (617) 737-9480

PREPARED FOR:



TOWN OF SCITUATE
DEPARTMENT OF PUBLIC WORKS
600 CHIEF JUSTICE CUSHING HIGHWAY
SCITUATE, MASSACHUSETTS 02066
TEL: 978-646-9731

MARK	DATE	DESCRIPTION	BY
C	06/28/17	ISSUED FOR 60% DESIGN REVIEW	TC
B	05/03/17	ISSUED FOR NOT REVIEW	TC

RESERVOIR WATER STORAGE AND FISH PASSAGE IMPROVEMENT PROJECT
SCITUATE, PLYMOUTH COUNTY, MASSACHUSETTS

CONSTRUCTION ACCESS

Project No.: 194-5938
Designed By: T. Cook
Drawn By: F. Menichelli
Checked By: M. Worthy

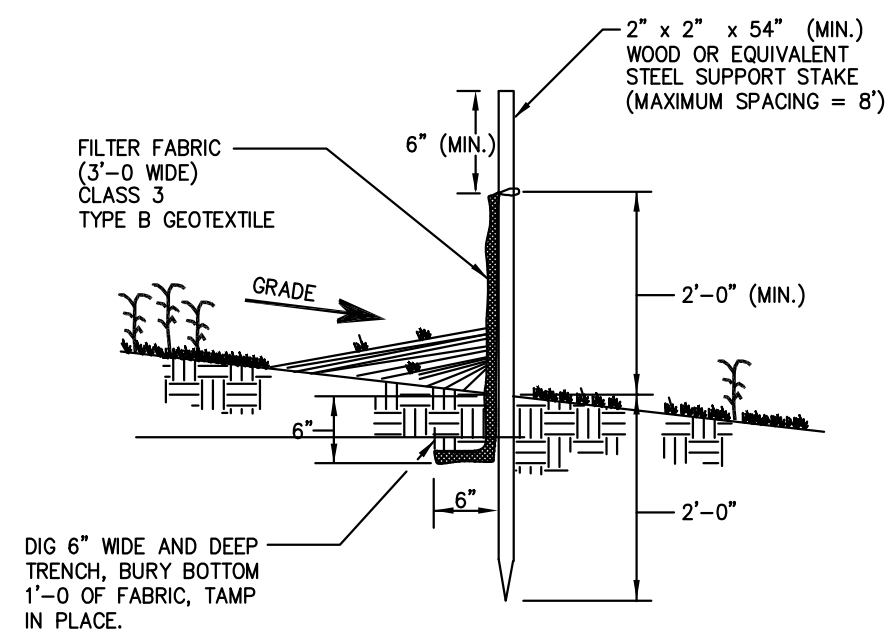
ISSUED FOR 60% DESIGN REVIEW
- NOT FOR CONSTRUCTION -

C-106

Copyright: Tetra Tech
CAD FILE: 4961_12_C-106-REV C.DWG

GENERAL NOTES:

1. FOLLOW ALL MADEP GUIDELINES.
2. ALL WORK TO BE DONE IN ACCORDANCE WITH MADEP STANDARDS AND SPECIFICATIONS FOR EROSION AND SEDIMENT CONTROLS*.
3. ALL SEDIMENT AND EROSION CONTROL PRACTICES ARE TO BE INSTALLED PRIOR TO ANY MAJOR SOIL DISTURBANCE, IN THEIR PROPER SEQUENCE, AND MAINTAINED UNTIL PERMANENT PROTECTION IS ESTABLISHED.
4. DO NOT PLACE EXCAVATED SOIL MATERIAL ADJACENT TO RIVERS, STREAMS, OR BODIES OF WATER IN A MANNER THAT WILL CAUSE IT TO BE WASHED AWAY BY HIGH WATER OR RUNOFF. STABILIZE EXCESS BORROW MATERIAL AT THE SITE OF PLACEMENT.
5. PLACE TEMPORARY SEEDING FOR ALL TOPSOIL STRIPPED AND STOCKPILED FOR USE IN FINAL GRADING.
6. TEMPORARILY STABILIZE ALL DISTURBED AREAS NOT SCHEDULED FOR CONSTRUCTION ACTIVITIES WITHIN 14 DAYS OF DISTURBANCE.
7. CONTROL MEASURES FOR NON-GROWING SEASON STABILIZATION OF EXPOSED AREAS WHERE THE ESTABLISHMENT OF VEGETATION IS PLANNED AS THE FINAL CONTROL MEASURE.
8. PERMANENT STABILIZATION: LOCATION AND DETAIL OF ALL PROPOSED NONSTRUCTURAL METHODS OF SOIL STABILIZATION - INCLUDING TYPES AND RATES OF LIME, FERTILIZER, SEED, AND MULCH APPLIED - REFER TO THE "MASSACHUSETTS STANDARDS AND SPECIFICATIONS FOR EROSION AND SEDIMENT CONTROLS".
9. DURING LAND DISTURBANCE ACTIVITIES OR CONSTRUCTION, ANY ADDITIONAL CONTROL MEASURES AS DEEMED NECESSARY TO PREVENT EROSION OR TO CONTROL SEDIMENTATION BEYOND THOSE SHOWN ON THE APPROVED PLANS SHALL BE INSTALLED AS DIRECTED BY THE MUNICIPAL ENGINEER OR THE NCSWCD.
10. A HARD COPY OF THE CERTIFIED PLAN SHALL BE KEPT AT THE CONSTRUCTION SITE.
11. TO THE MAXIMUM EXTENT PRACTICAL, ALL VEGETATED AREAS NOT NEEDED FOR CONSTRUCTION SHALL BE LEFT UNDISTURBED FOR AS LONG AS POSSIBLE.
12. DUST IS TO BE CONTROLLED WITH WATER. CHEMICAL SUPPRESSION OF DUST IS PROHIBITED.
13. BE RESPONSIBLE FOR MAINTENANCE OR PERMANENT SOIL EROSION AND SEDIMENT CONTROL MEASURES AND FACILITIES DURING AND AFTER CONSTRUCTION.
14. PERFORM PERIODIC INSPECTION IN ACCORDANCE WITH THE SPDES GENERAL PERMIT FOR STORMWATER DISCHARGES FROM CONSTRUCTION ACTIVITY - GP-0-10-001 AND THE NEW YORK STANDARDS AND SPECIFICATIONS FOR EROSION AND SEDIMENT CONTROLS.

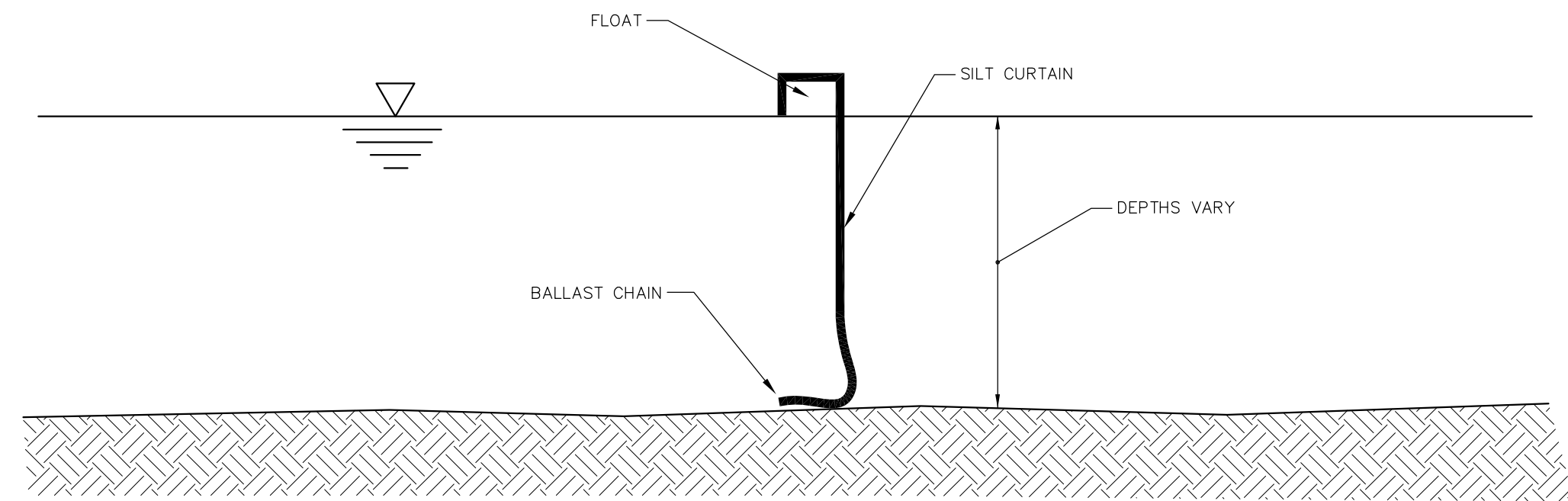


○ FILTER FABRIC SILT FENCE
SCALE: N.T.S.

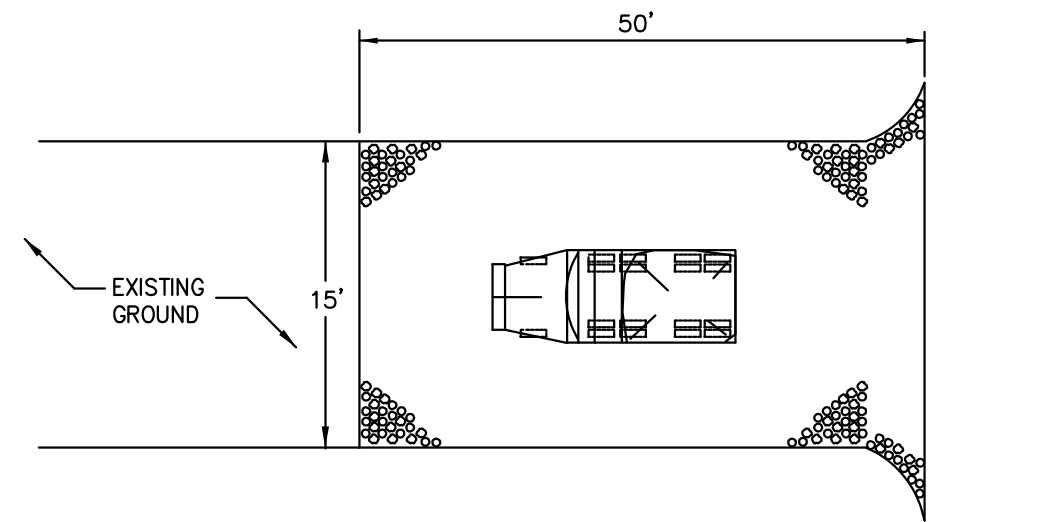
SILT FENCE NOTES:

1. WOVEN WIRE FENCE TO BE FASTENED SECURELY TO FENCE POSTS WITH WIRE TIES OR STAPLES.
2. FILTER CLOTH TO BE FASTENED SECURELY TO WOVEN WIRE FENCE WITH TIES SPACED EVERY 24 INCHES AT TOP AND MID SECTION.
3. WHEN TWO SECTIONS OF FILTER CLOTH ADJOIN EACH OTHER THEY SHALL BE OVERLAPPED BY 6 INCHES AND FOLDED.
4. PERFORM MAINTENANCE AS REQUIRED BY THE SPDES GENERAL PERMIT FOR STORMWATER DISCHARGES FROM CONSTRUCTION ACTIVITY - GP-0-10-001, MADEP STANDARDS AND SPECIFICATIONS FOR EROSION AND SEDIMENT CONTROLS, AND AS NEEDED. REMOVE MATERIAL WHEN "BULGES" DEVELOP IN THE SILT FENCE.
5. MATERIALS:

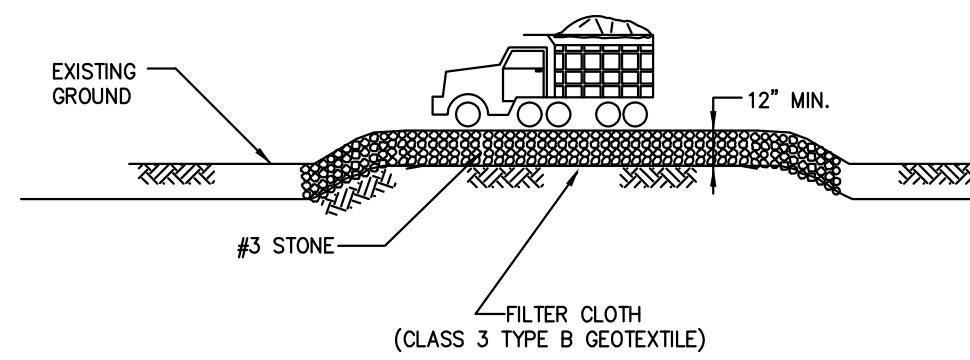
POSTS: STEEL EITHER "T" OR "U" TYPE OR 2 INCH HARDWOOD
 FENCE: WOVEN WIRE, 14 1/2 GA., 6 INCH MAXIMUM MESH OPENING.
 FILTER CLOTH: FILTER X, MIRAFI 100X, STABLELINK T140N, OR APPROVED EQUAL.
 PREFABRICATED UNIT: GEOFAB, ENVIROFENCE, OR APPROVED EQUAL.



○ TURBIDITY CURTAIN
SCALE: N.T.S.



PLAN VIEW
SCALE: N.T.S.



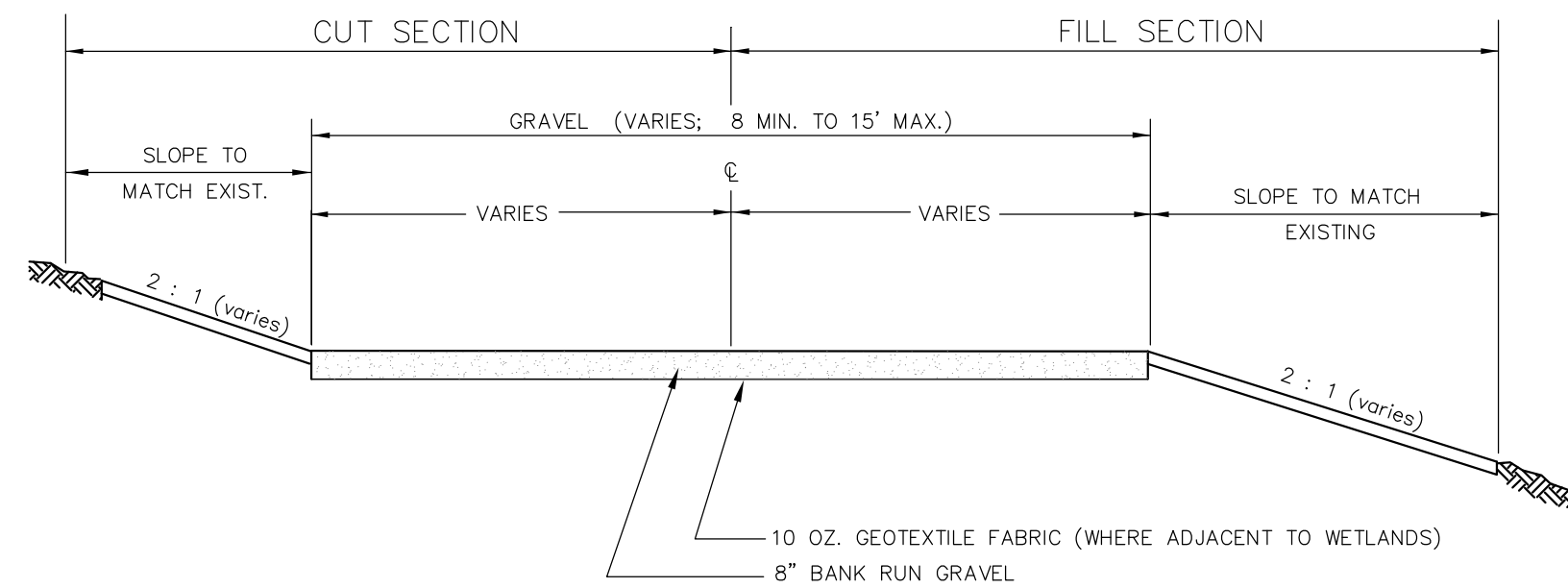
○ STABILIZED CONSTRUCTION ENTRANCE
SCALE: N.T.S.

CONSTRUCTION ENTRANCE NOTES:

1. STONE SIZE - USE #3 STONE PER ASTM C-33.
2. THICKNESS - NOT LESS THAN (12) INCHES.
3. WIDTH - TWENTY-FOUR (24) FEET.
4. FILTER CLOTH - WILL BE PLACED OVER THE ENTIRE AREA PRIOR TO PLACING OF STONE.
5. SURFACE WATER - ALL SURFACE WATER FLOWING OR DIVERTED TOWARD CONSTRUCTION ENTRANCES SHALL BE PIPED ACROSS THE ENTRANCE, IF PIPING IS IMPRACTICAL, A MOUNTABLE BERM WITH 5:1 SLOPES WILL BE PERMITTED.
6. MAINTENANCE - THE ENTRANCE SHALL BE MAINTAINED IN A CONDITION WHICH WILL PREVENT TRACKING OR FLOWING OF SEDIMENT ONTO PUBLIC ROADS. ALL SEDIMENT SPILLED, DROPPED, WASHED OR TRACKED ONTO PUBLIC ROADS MUST BE REMOVED IMMEDIATELY.
7. PERFORM WASHING ON AN AREA STABILIZED WITH STONE AND WHICH DRAINS INTO AN APPROVED SEDIMENT TRAPPING DEVICE, AS REQUIRED.
8. FOR THE STABILIZED CONSTRUCTION ENTRANCE AND PARKING AREAS, USE HEAVY DUTY ROAD FILTER CLOTH SUCH AS TREVIRA SPUNBOND 1135, MIRAFI 600X, OR EQUIVALENT, WITH THE FOLLOWING PROPERTIES:

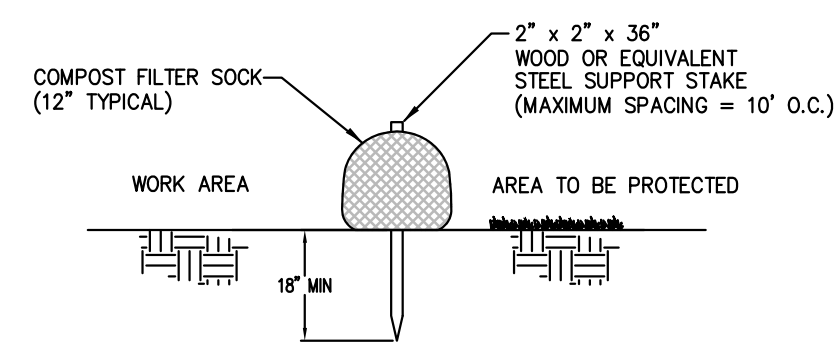
HEAVY DUTY HAUL ROADS ROUGH GRADED

FABRIC PROPERTIES		TEST METHOD
GRAB TENSILE STRENGTH (LBS)	220	ASTM D1682
ELONGATION AT FAILURE (%)	60	ASTM D1682
MULLEN BURST STRENGTH (LBS)	430	ASTM D3786
PUNCTURE STRENGTH (LBS)	125	ASTM D751 MODIFIED
OPENING SIZE	70-100	CW-02215



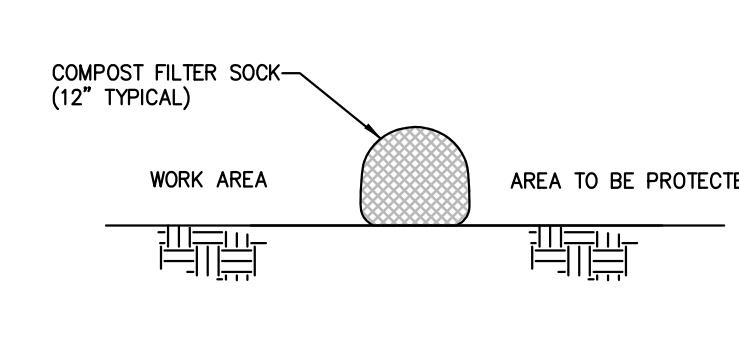
NOTE:
 HAUL ROAD SHALL BE 24 FEET WIDE WHERE TWO-WAY TRAFFIC IS REQUIRED.
 HAUL ROAD SHALL BE TO THE LIMITS AS SHOWN ON SHEET C-1.

○ TYPICAL TEMPORARY ACCESS ROAD SECTION
SCALE: N.T.S.



COMPOST FILTER SOCK - NON PAVED AREAS
(N.T.S.)

○ COMPOST FILTER SOCK - NON-PAVED AREAS
SCALE: N.T.S.



COMPOST FILTER SOCK - PAVED AREAS
(N.T.S.)

○ COMPOST FILTER SOCK - PAVED AREAS
SCALE: N.T.S.

TETRA TECH



www.tetra.tech.com
 160 Federal Street, 3rd Floor
 Boston, MA 02110
 Phone: (617) 443-7500 Fax: (617) 737-9480

PREPARED FOR:
TOWN OF SCITUATE
 DEPARTMENT OF PUBLIC WORKS
 600 CHIEF JUSTICE CUSHING HIGHWAY
 SCITUATE, MASSACHUSETTS 02686
 TEL: 781-546-4731



MARK	DATE	DESCRIPTION	BY
C	06/28/17	ISSUED FOR 60% DESIGN REVIEW	TC
B	05/03/17	ISSUED FOR NOT REVIEW	TC

RESERVOIR DAM WATER STORAGE AND FISH PASSAGE IMPROVEMENT PROJECT
 SCITUATE, PLYMOUTH COUNTY, MASSACHUSETTS

Project No.: 194-5938
 Designed By: T. Cook
 Drawn By: F. Menichelli
 Checked By: N. Marone

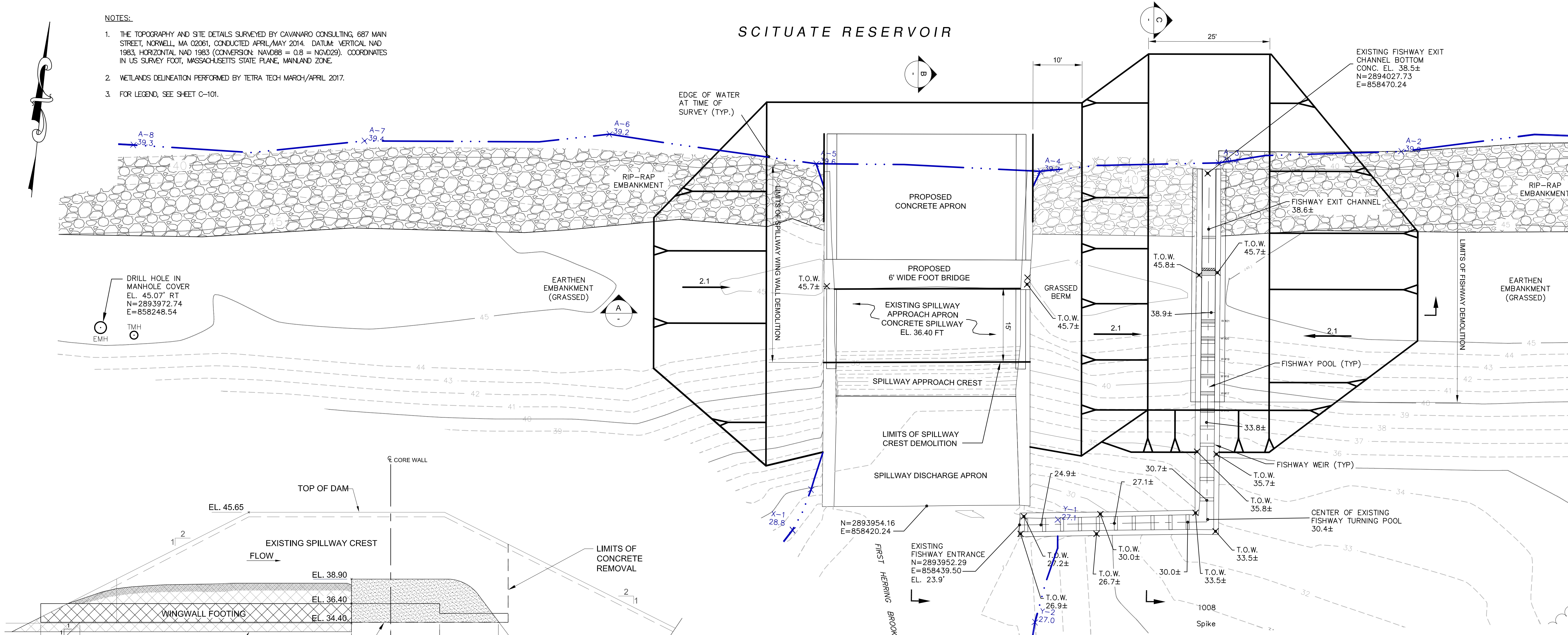
C-107

**ISSUED FOR 60% DESIGN REVIEW
 - NOT FOR CONSTRUCTION -**

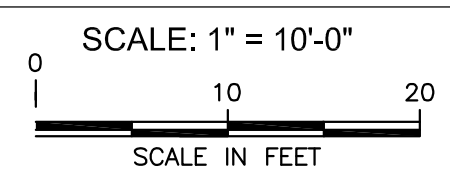
NOTES:

1. THE TOPOGRAPHY AND SITE DETAILS SURVEYED BY CAVANARO CONSULTING, 687 MAIN STREET, NORWELL, MA 02061, CONDUCTED APRIL/MAY 2014. DATUM: VERTICAL NAD 1983, HORIZONTAL NAD 1983 (CONVERSION: NAVD88 = 0.8 = NAD83). COORDINATES IN US SURVEY FOOT, MASSACHUSETTS STATE PLANE, MAINLAND ZONE.
2. WETLANDS DELINEATION PERFORMED BY TETRA TECH MARCH/APRIL 2017.
3. FOR LEGEND, SEE SHEET C-101.

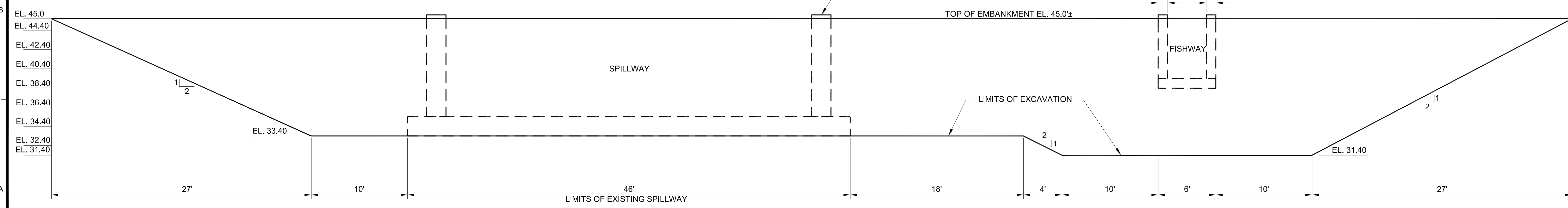
SCITUATE RESERVOIR



EXCAVATION AND DEMOLITION PLAN



B SPILLWAY PROFILE
SCALE: 1" = 5'-0"



A FISHWAY PROFILE
SCALE: 1" = 5'-0"

**ISSUED FOR 60% DESIGN REVIEW
- NOT FOR CONSTRUCTION -**

TETRA TECH
www.tetra.tech.com
160 Federal Street, 3rd Floor
Boston, MA 02110
Phone: (617) 443-7500 Fax: (617) 737-9480

PREPARED FOR:
**TOWN OF SCITUATE
DEPARTMENT OF PUBLIC WORKS**
600 CHIEF JUSTICE CUSHING HIGHWAY
SCITUATE, MASSACHUSETTS 02066
TEL: 978-646-4731

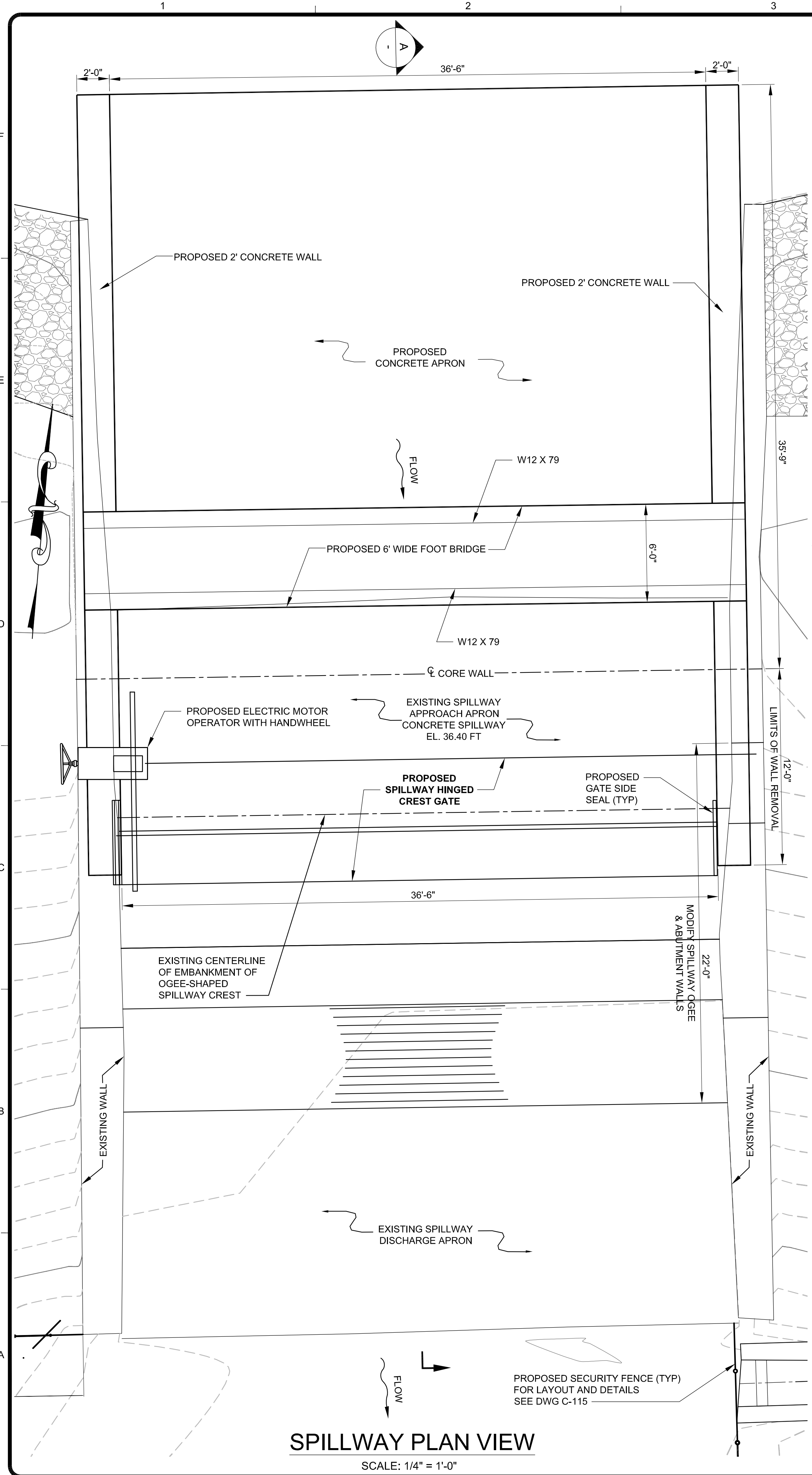
MARK	DATE	DESCRIPTION
A	06/27/17	ISSUED FOR 60% DESIGN REVIEW

RESERVOIR WATER STORAGE AND FISH PASSAGE IMPROVEMENT PROJECT
SCITUATE, PLYMOUTH COUNTY, MASSACHUSETTS

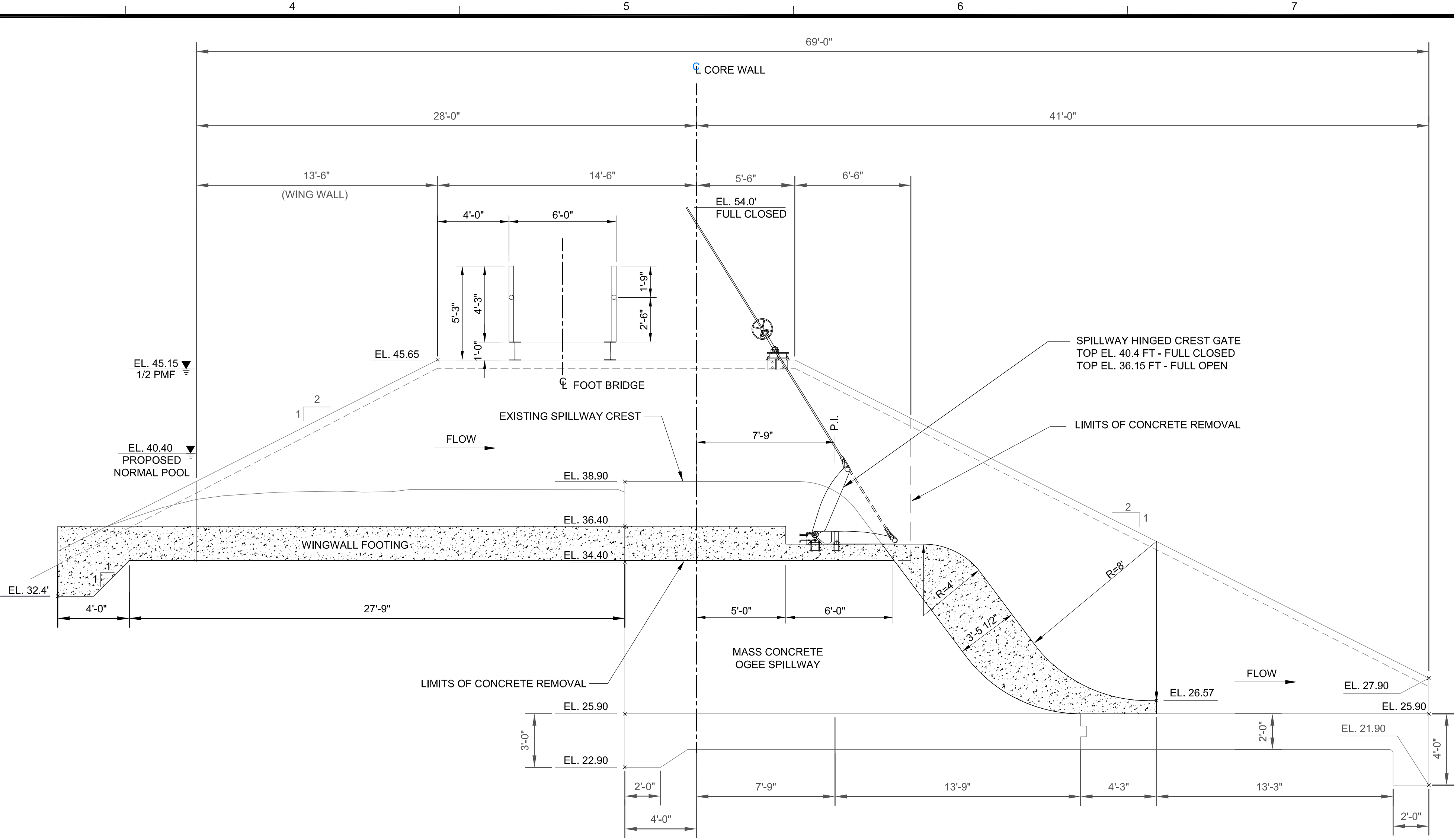
**SPILLWAY AND FISHWAY
EXCAVATION AND DEMOLITION**

Project No.: 194-5938
Designed By: T. Cook
Drawn By: F. Menichelli
Checked By: M. Worthy

6/28/2017 2:25:35 PM - D:\CAD-TEMP FILES\PROJECTS\...SITUATE RESERVOIR DAM-4961 (CAD-60% DESIGN)\WORKING\WORKING-60%_REV C DRAWINGS\4961_12_C-110-REV C.DWG - MENCHIELLI, FOSTER

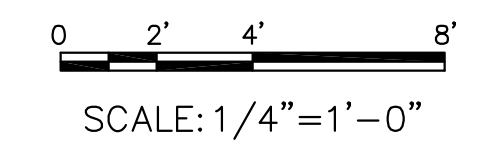



SPILLWAY PLAN VIEW
SCALE: 1/4" = 1'-0"



A OGEE-SHAPED SPILLWAY PROFILE
SCALE: 1/4" = 1'-0"

NOTES:
1. ALL ELEVATIONS IN NAVD88.






TETRA TECH

www.tetra.tech.com
160 Federal Street, 3rd Floor
Boston, MA 02110
Phone: (617) 443-7500 Fax: (617) 737-9480

PREPARED FOR:
**TOWN OF SITUATE
DEPARTMENT OF PUBLIC WORKS**
600 CHIEF JUSTICE CUSHING HIGHWAY
SITUATE, MASSACHUSETTS 02066
TEL: (978) 646-4371



BY	DATE	DESCRIPTION	MARK	DATE	DESCRIPTION
TC	06/28/17	ISSUED FOR 60% DESIGN REVIEW	C	06/28/17	ISSUED FOR 60% DESIGN REVIEW
TC	06/03/17	ISSUED FOR NOT REVIEW	B	06/03/17	ISSUED FOR NOT REVIEW

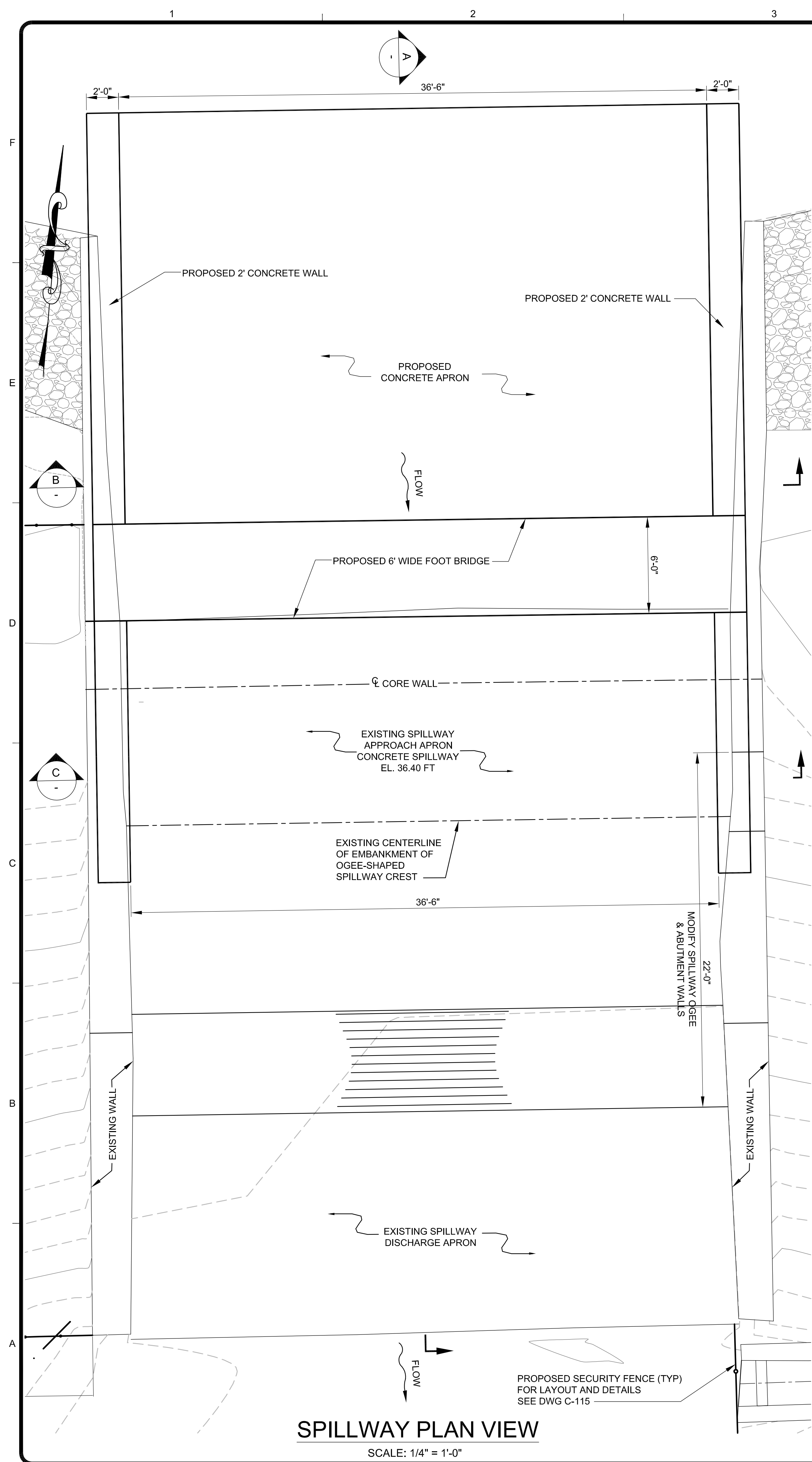
RESERVOIR DAM WATER STORAGE AND FISH PASSAGE IMPROVEMENT PROJECT
SITUATE, PLYMOUTH COUNTY, MASSACHUSETTS

**SPILLWAY MODIFICATIONS
PLAN, PROFILE & SECTIONS**

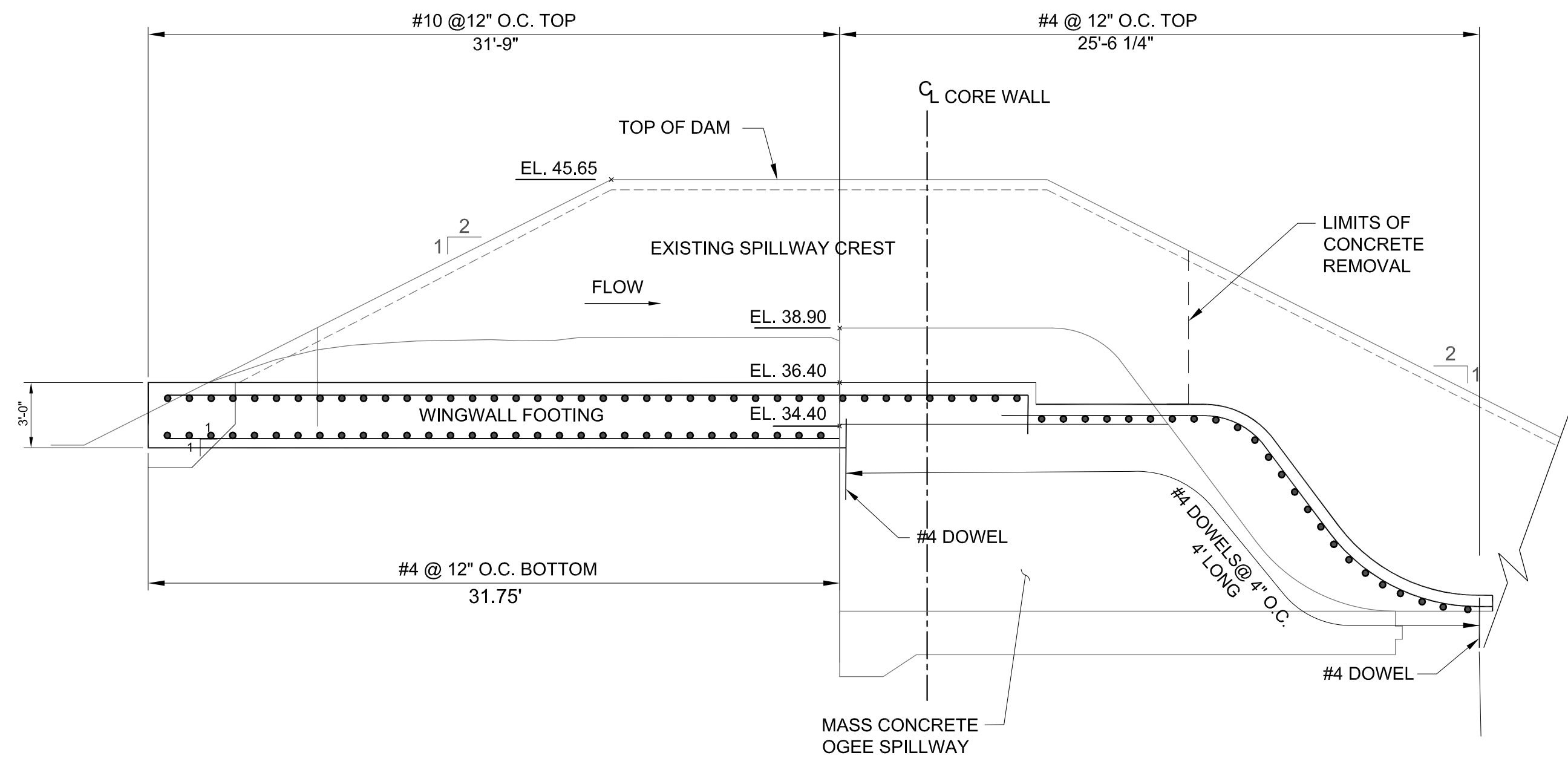
Project No.: 194-5938
Designed By: T. Cook
Drawn By: F. Menichelli
Checked By: M. Worthy

C-110

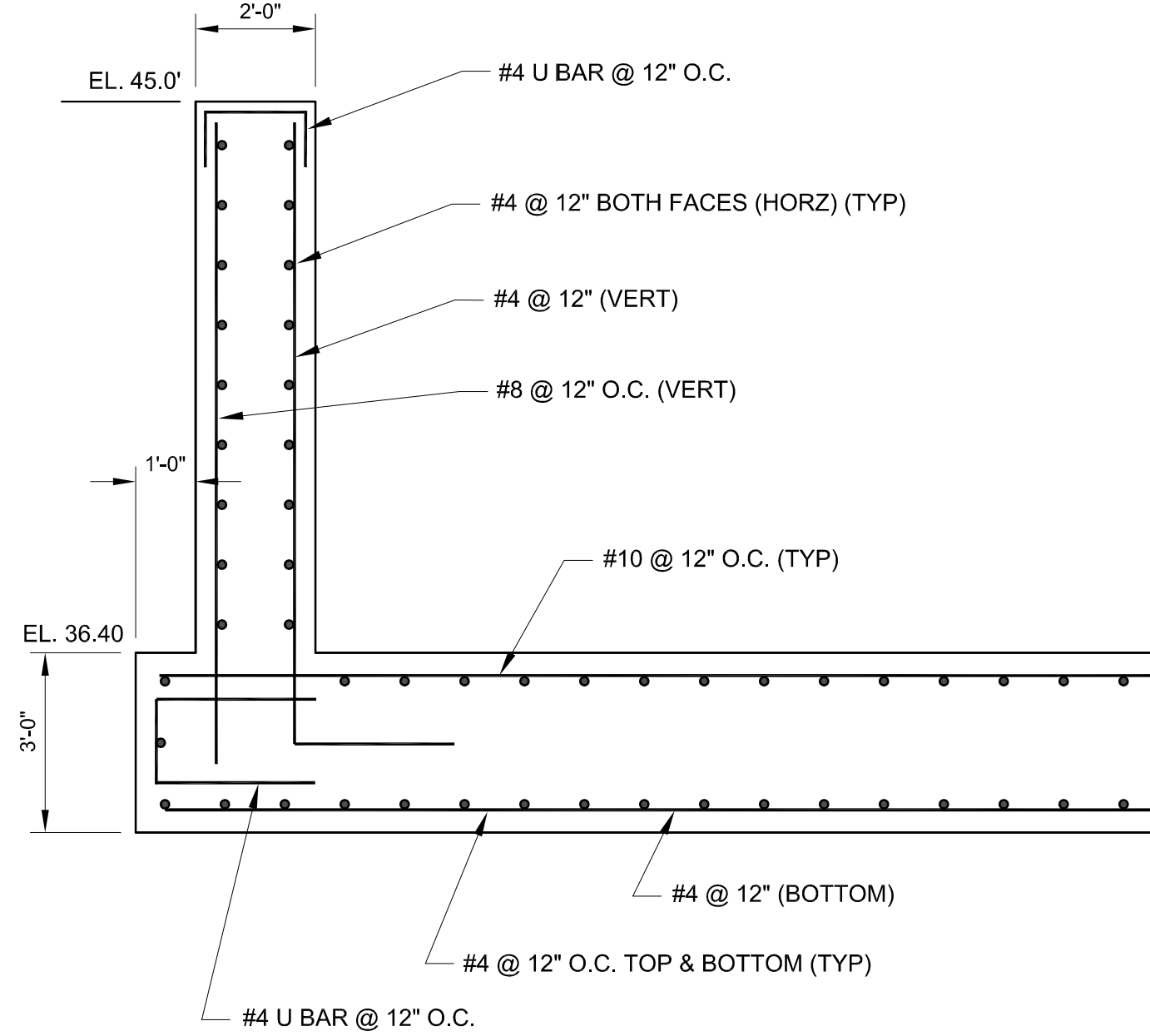
Copyright: Tetra Tech



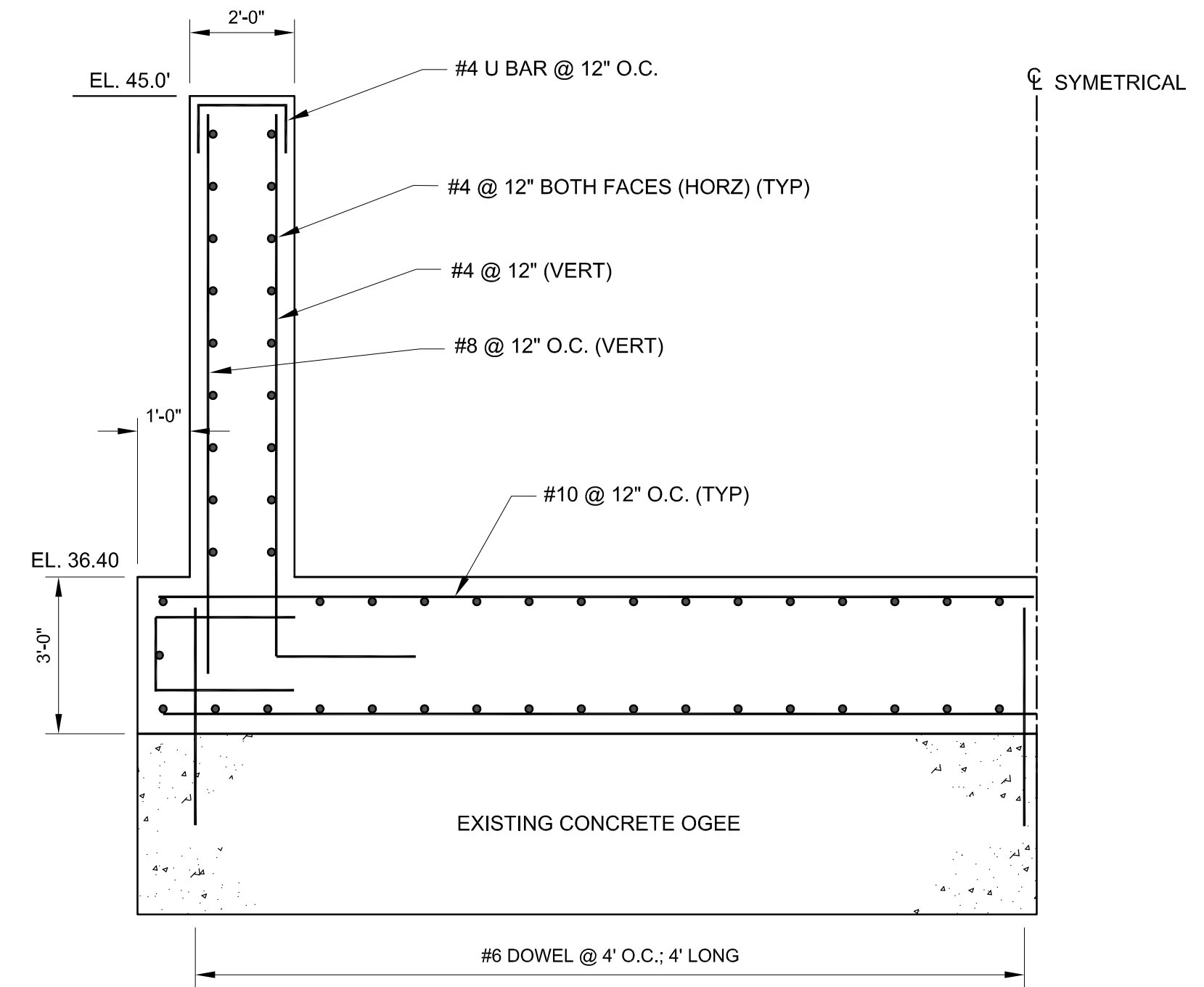
SPILLWAY PLAN VIEW
SCALE: 1/4" = 1'-0"



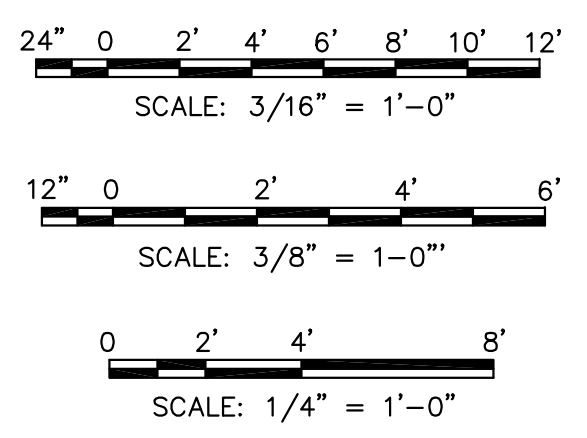
A SPILLWAY PROFILE
SCALE: 3/16" = 1'-0"



B SECTION B
SCALE: 3/8" = 1'-0"



C SECTION C
SCALE: 3/8" = 1'-0"



NOTES:
1. ALL ELEVATIONS IN NAVD88.

**ISSUED FOR 60% DESIGN REVIEW
- NOT FOR CONSTRUCTION -**

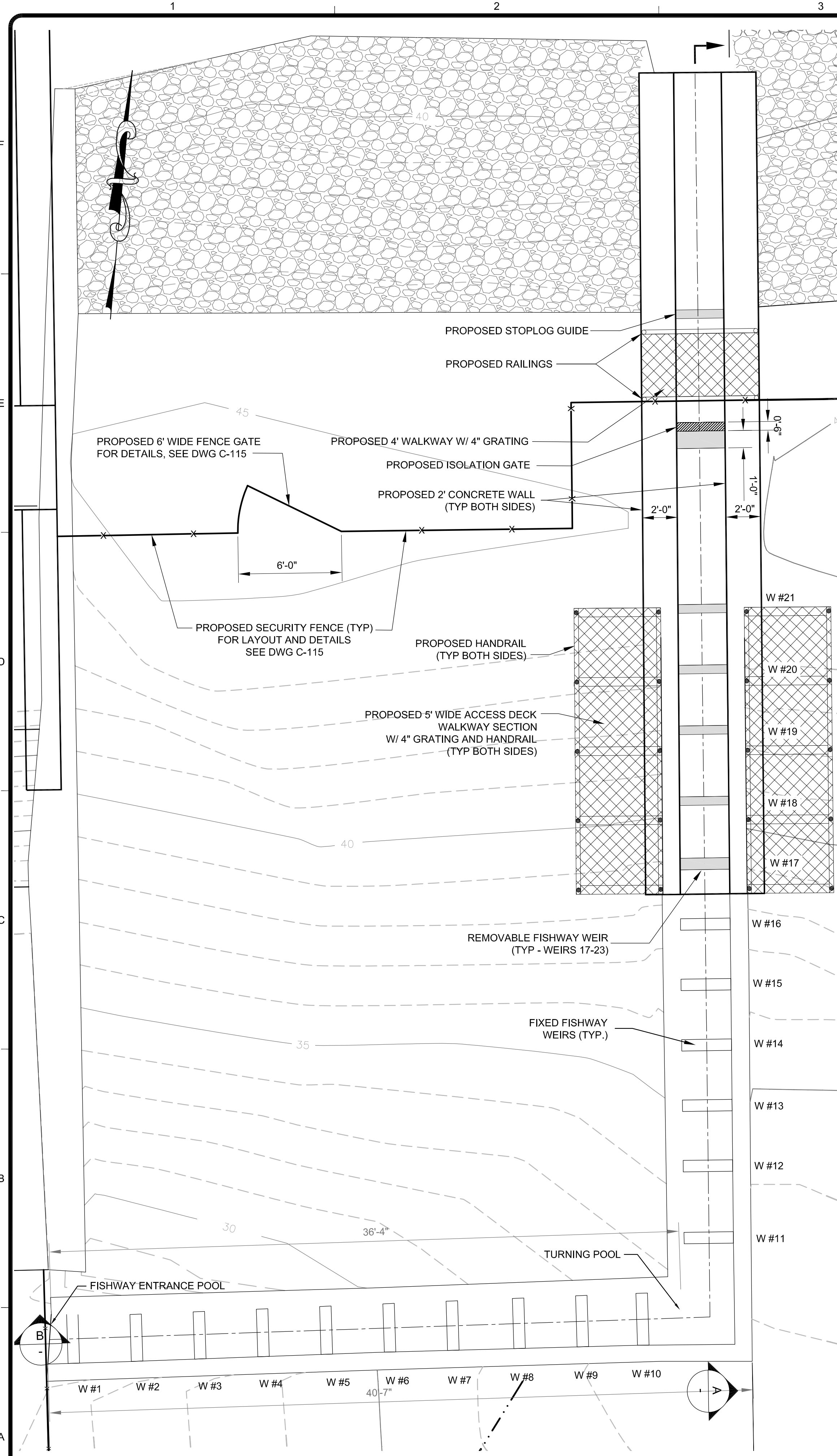
MARK	DATE	DESCRIPTION
B	06/28/17	ISSUED FOR 60% DESIGN REVIEW
TC		

PROJECT	PROJECT NAME
RESERVOIR DAM WATER STORAGE AND FISH PASSAGE IMPROVEMENT PROJECT	SCITUATE, PLYMOUTH COUNTY, MASSACHUSETTS

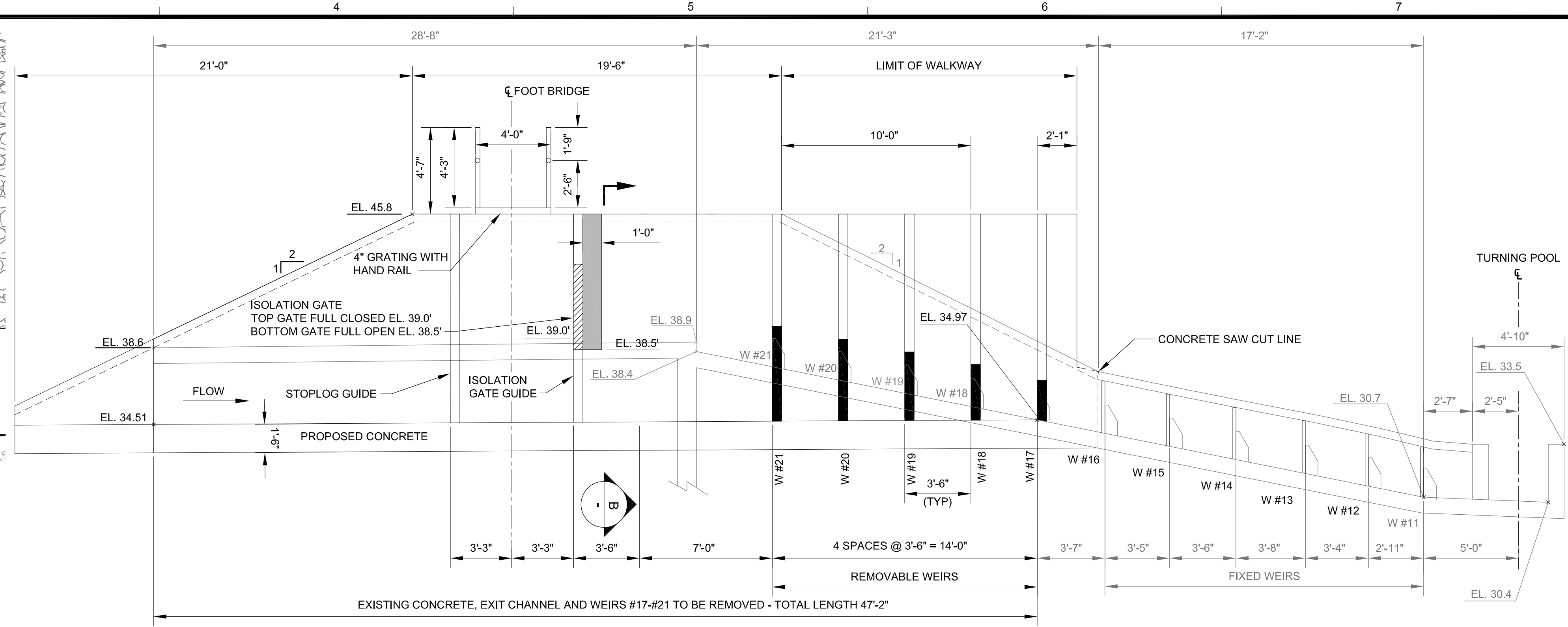
**SPILLWAY MODIFICATIONS
CONCRETE AND REINFORCING
STEEL DETAILS**

Project No.:	194-5938
Designed By:	T. Cook
Drawn By:	F. Menichelli
Checked By:	M. Worthy

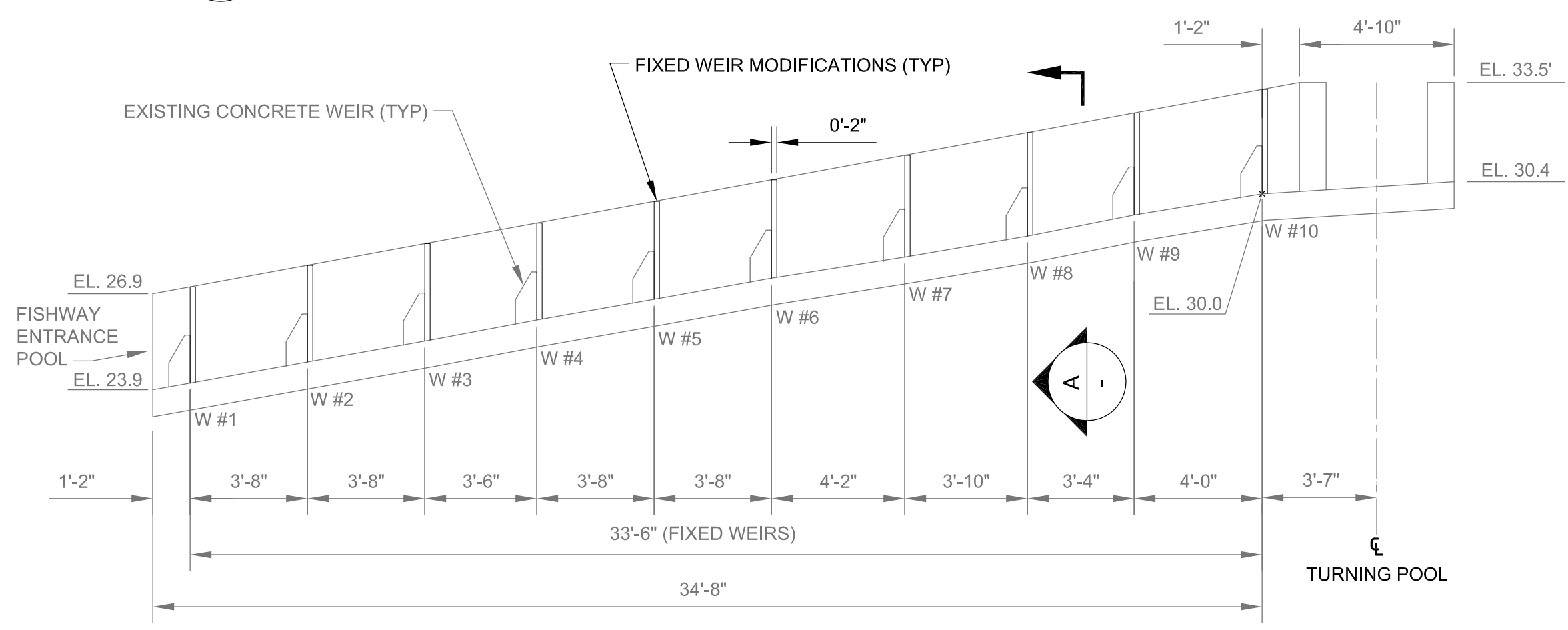
6/28/2017 12:08:54 PM - D:\CAD-TEMP FILES\PROJECTS\SCTUATE RESERVOIR DAM-4961\CAD-60% DESIGN\WORKING\60%_REV C DRAWINGS\4961_12_C-112-REV C.DWG - MENICHELLI, FOSTER



FISHWAY PLAN VIEW
SCALE: 1/4" = 1'-0"



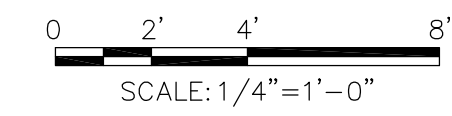
A FISHWAY CENTERLINE PROFILE - WEIRS #11 - #21
SCALE: 1/4" = 1'-0"



B FISHWAY CENTERLINE PROFILE - WEIRS #1 - #10
SCALE: 1/4" = 1'-0"

Location	Proposed Fishway Weir Data			Fishway Spring (In-migration)		Fishway Fall (Out-migration)	
	Bottom EL. (ft NAVD 88)	Notch EL. (ft NAVD 88)	Weir Crest EL. (ft NAVD 88)	Minimum Pool Level (ft NAVD 88)	Maximum Pool Level (ft NAVD 88)	Minimum Pool Level (ft NAVD 88)	Maximum Pool Level (ft NAVD 88)
Entrance Pool	23.90						
Weir #1 (Fixed)	24.11	25.61	26.28	26.03	27.11	26.03	26.28
Weir #2 (Fixed)	24.77	26.27	26.93	27.02	27.77	26.68	26.93
Weir #3 (Fixed)	25.42	26.92	27.59	27.67	28.42	27.34	27.59
Weir #4 (Fixed)	26.08	27.58	28.25	28.33	29.08	27.99	28.24
Weir #5 (Fixed)	26.73	28.23	28.90	28.99	29.74	28.65	28.90
Weir #6 (Fixed)	27.39	28.89	29.56	29.64	30.39	29.31	29.56
Weir #7 (Fixed)	28.05	29.55	30.21	30.30	31.05	29.96	30.21
Weir #8 (Fixed)	28.70	30.20	30.87	30.95	31.70	30.62	30.87
Weir #9 (Fixed)	29.36	30.86	31.53	31.61	32.36	31.28	31.53
Weir #10 (Fixed)	30.02	31.52	32.18	32.27	33.02	31.93	32.18
Centerline Turning Pool	30.40			32.27	33.02	31.93	32.18
Weir #11 (Fixed)	30.70	32.20	32.87	32.95	33.70	32.62	32.87
Weir #12 (Fixed)	31.40	32.90	33.57	33.65	34.40	33.32	33.57
Weir #13 (Fixed)	32.11	33.61	34.27	34.36	35.11	34.02	34.27
Weir #14 (Fixed)	32.81	34.31	34.98	35.06	35.81	34.73	34.98
Weir #15 (Fixed)	33.51	35.01	35.68	35.76	36.51	35.43	35.68
Weir #16 (Fixed)	34.21	35.71	36.38	36.46	37.21	36.13	36.38
Weir #17 (Removable)	34.97	36.38	37.05	37.30	37.88	36.80	37.05
Weir #18 (Removable)	34.93	37.05	37.72	37.97	38.55	37.46	37.71
Weir #19 (Removable)	34.90	37.72	38.38	38.63	39.22	38.13	38.38
Weir #20 (Removable)	34.86	38.38	39.05	39.30	39.88	38.80	39.05
Weir #21 (Removable)	34.83	39.05	39.72	39.97	40.55	39.47	39.72
Isolation Gate	34.72	44.22					
Stoplog Guide	34.66						
Exit Channel	34.51						

Fishway not operable below EL. 36.46 ft.
Close isolation gate at spillway gate full open.
Top of gate at EL. 44.22 ft.



PREPARED FOR:
TOWN OF SITUATE
DEPARTMENT OF PUBLIC WORKS
600 CHIEF JUSTICE CUSHING HIGHWAY
SITUATE, MASSACHUSETTS 02066
TEL: (617) 646-6731

MARK	DATE	DESCRIPTION	BY	TC
C	06/28/17	ISSUED FOR 60% DESIGN REVIEW		TC
B	05/03/17	ISSUED FOR NOT REVIEW		TC

RESERVOIR DAM WATER STORAGE AND FISH PASSAGE IMPROVEMENT PROJECT
SITUATE, PLYMOUTH COUNTY, MASSACHUSETTS

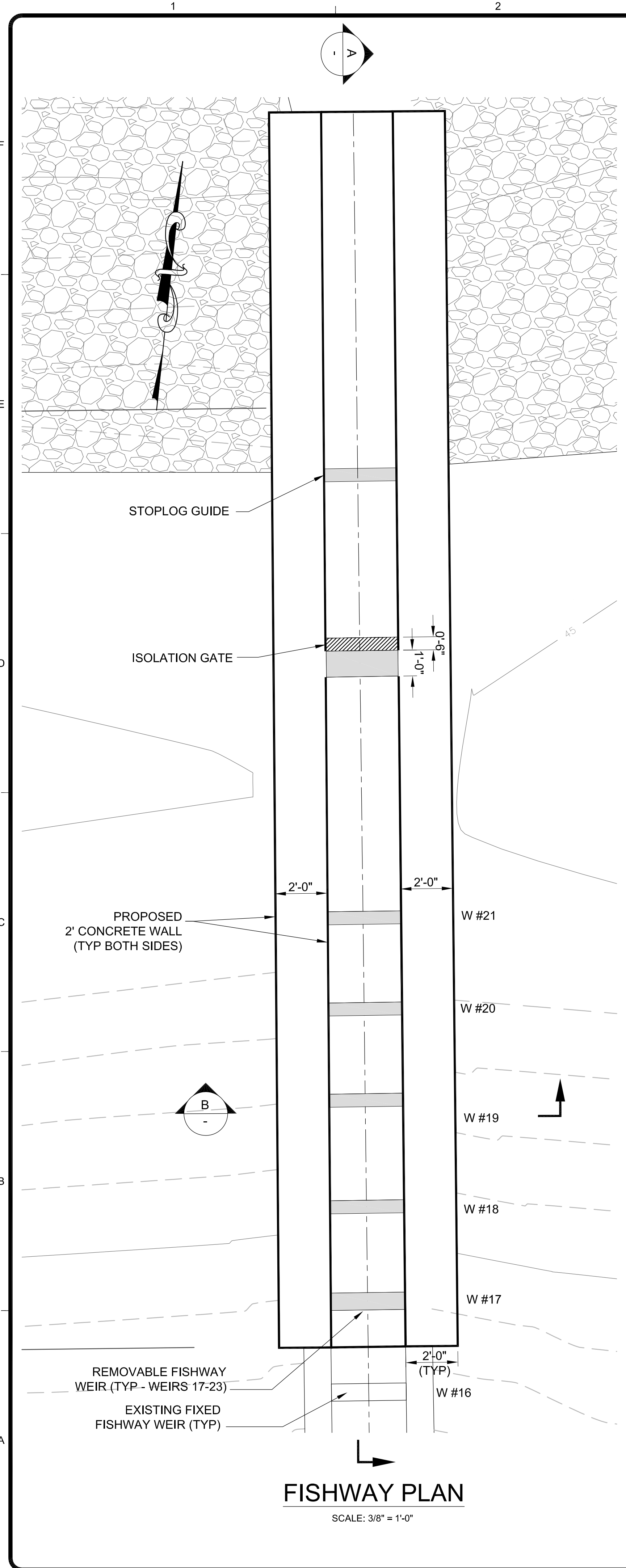
**FISHWAY MODIFICATIONS
PLAN, PROFILE & SECTIONS**

Project No.: 194-5938
Designed By: T. Cook
Drawn By: F. Menicelli
Checked By: N. Marone

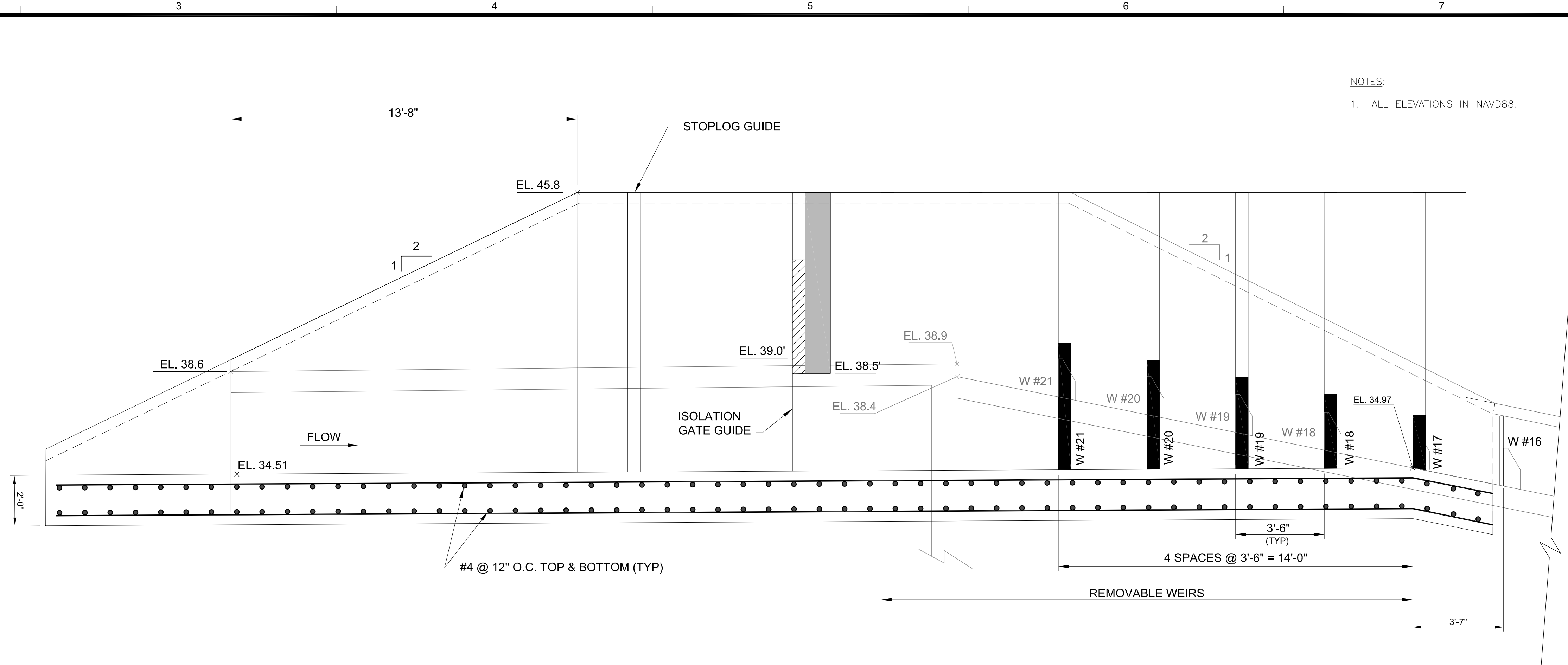
C-112

**ISSUED FOR 60% DESIGN REVIEW
- NOT FOR CONSTRUCTION -**

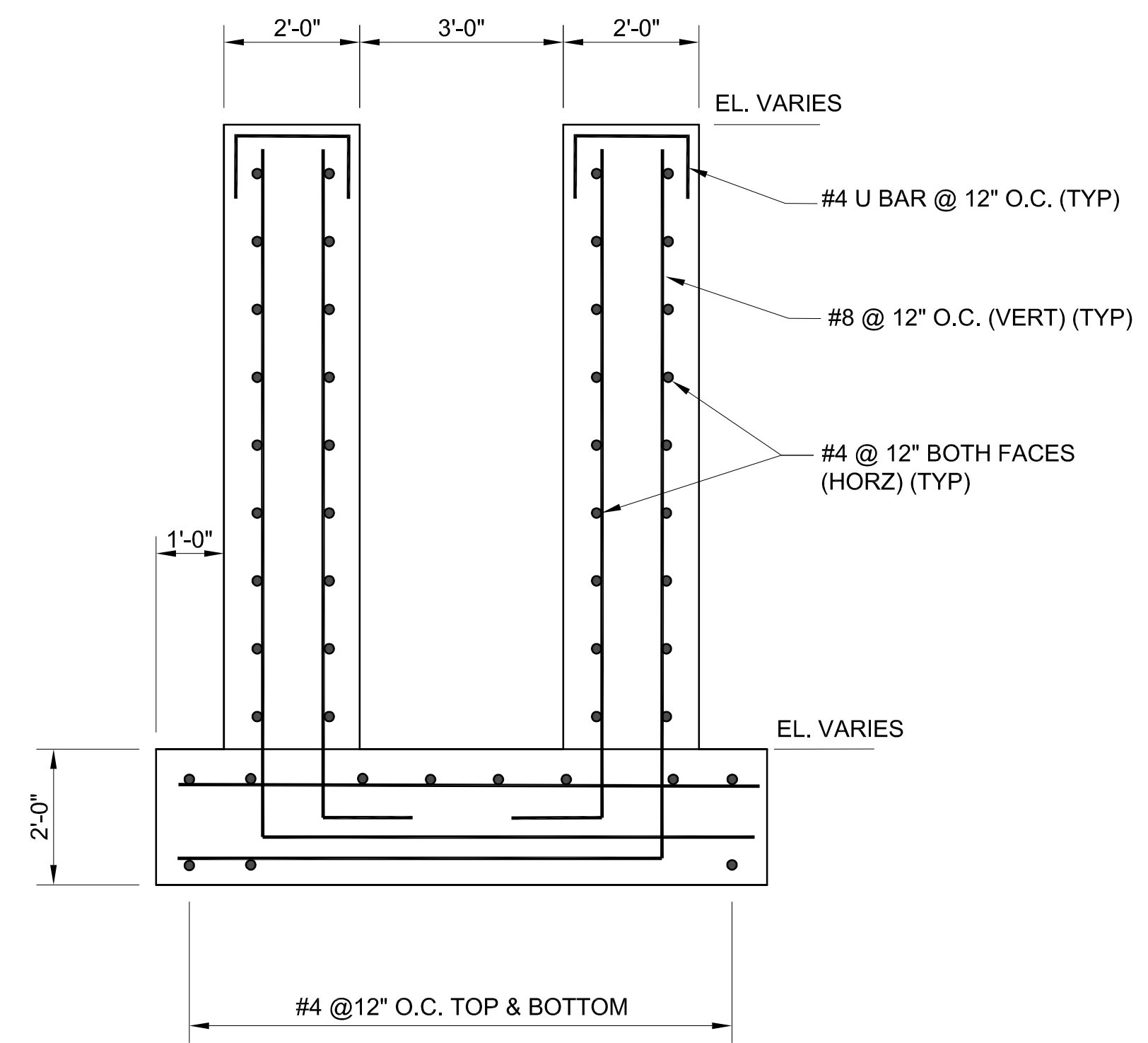
6/28/2017 12:09:35 PM - D:\CAD-TEMP FILES\PROJECTS\...SCTUATE RESERVOIR DAM-4961 (CAD-60% DESIGN)\WORKING\60%_REV C DRAWINGS\4961_12_C-113-REV A.DWG - MENCHIELLI, FOSTER



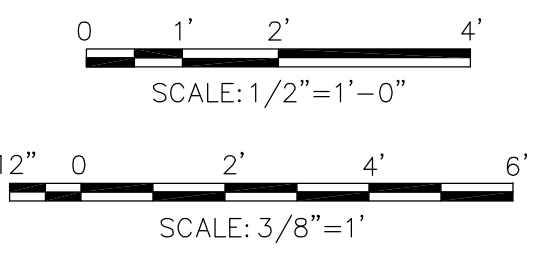
FISHWAY PLAN
SCALE: 3/8" = 1'-0"



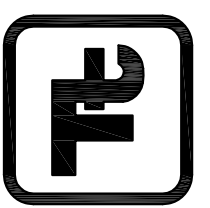
A FISHWAY PROFILE
SCALE: 3/8" = 1'-0"



B SECTION B
SCALE: 1/2" = 1'-0"



NOTES:
1. ALL ELEVATIONS IN NAVD88.



TETRA TECH

www.tetra.tech.com
160 Federal Street, 3rd Floor
Boston, MA 02110
Phone: (617) 443-7500 Fax: (617) 737-9480

PREPARED FOR:
**TOWN OF SITUATE
DEPARTMENT OF PUBLIC WORKS**
600 CHIEF JUSTICE CUSHING HIGHWAY
SITUATE, MASSACHUSETTS 02066
TEL: 781-546-4373

PROJECT NO.: 194-5938
DESIGNED BY: T. Cook
DRAWN BY: F. Menichelli
CHECKED BY: M. Worthy

RESERVOIR DAM WATER STORAGE AND FISH PASSAGE IMPROVEMENT PROJECT
SITUATE, PLYMOUTH COUNTY, MASSACHUSETTS

**FISHWAY MODIFICATIONS
CONCRETE AND REINFORCING
STEEL DETAILS**

BY: _____
DATE: _____
MARK: _____
DESCRIPTION: _____

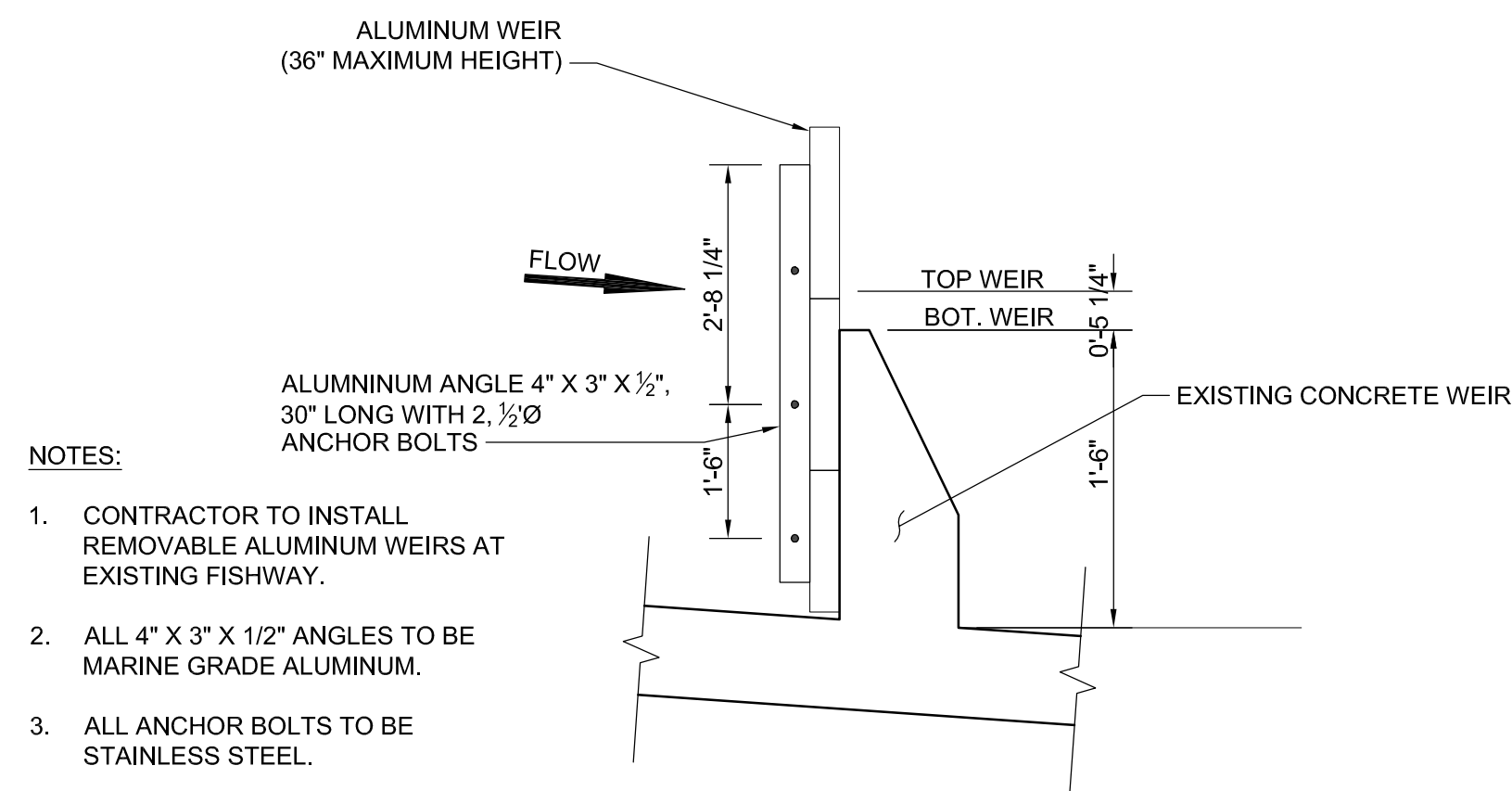
ISSUED FOR 60% DESIGN REVIEW
A 06/28/17 TC

Project No.: 194-5938
Designed By: T. Cook
Drawn By: F. Menichelli
Checked By: M. Worthy

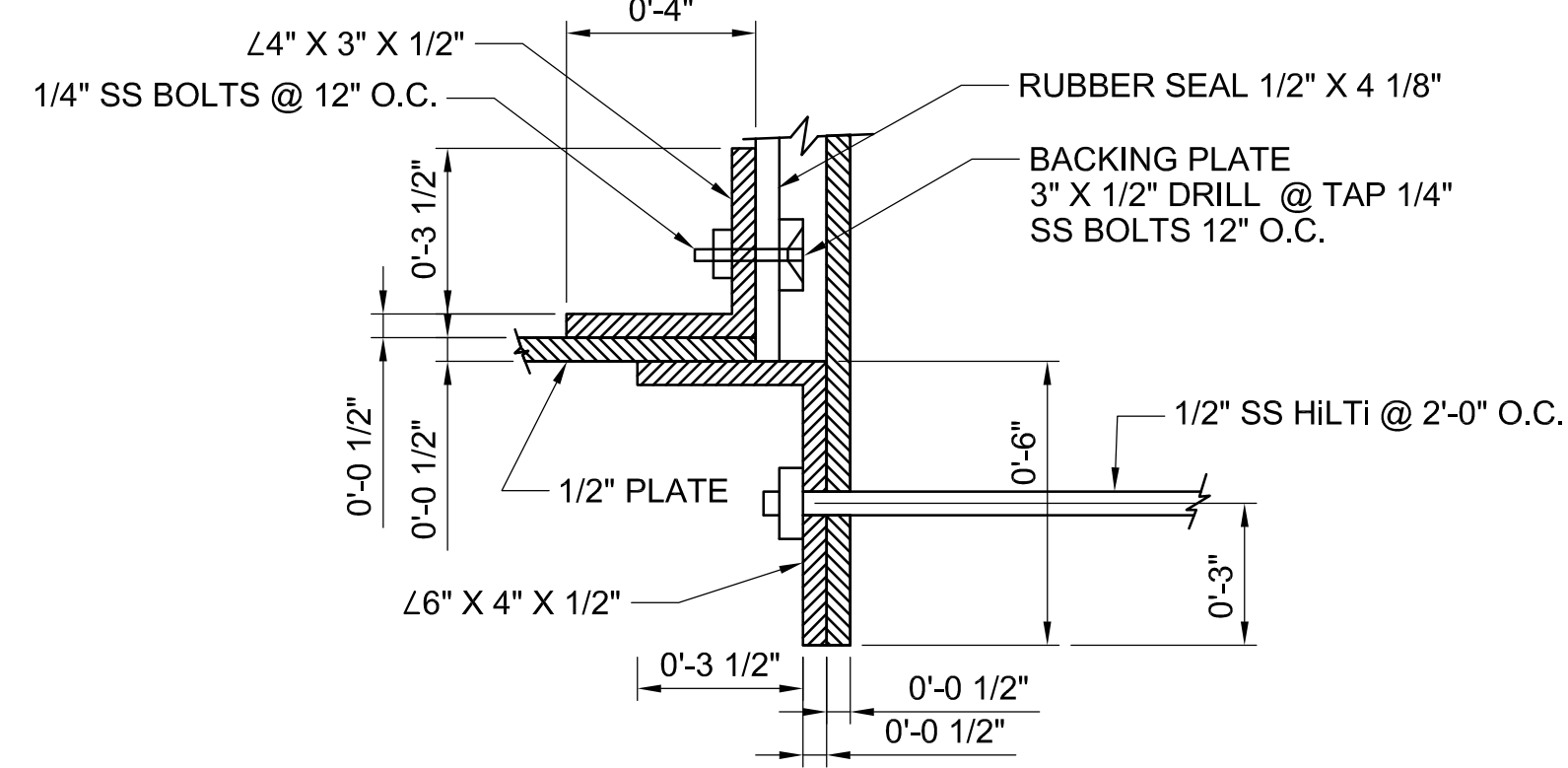
C-113

Copyright: Tetra Tech

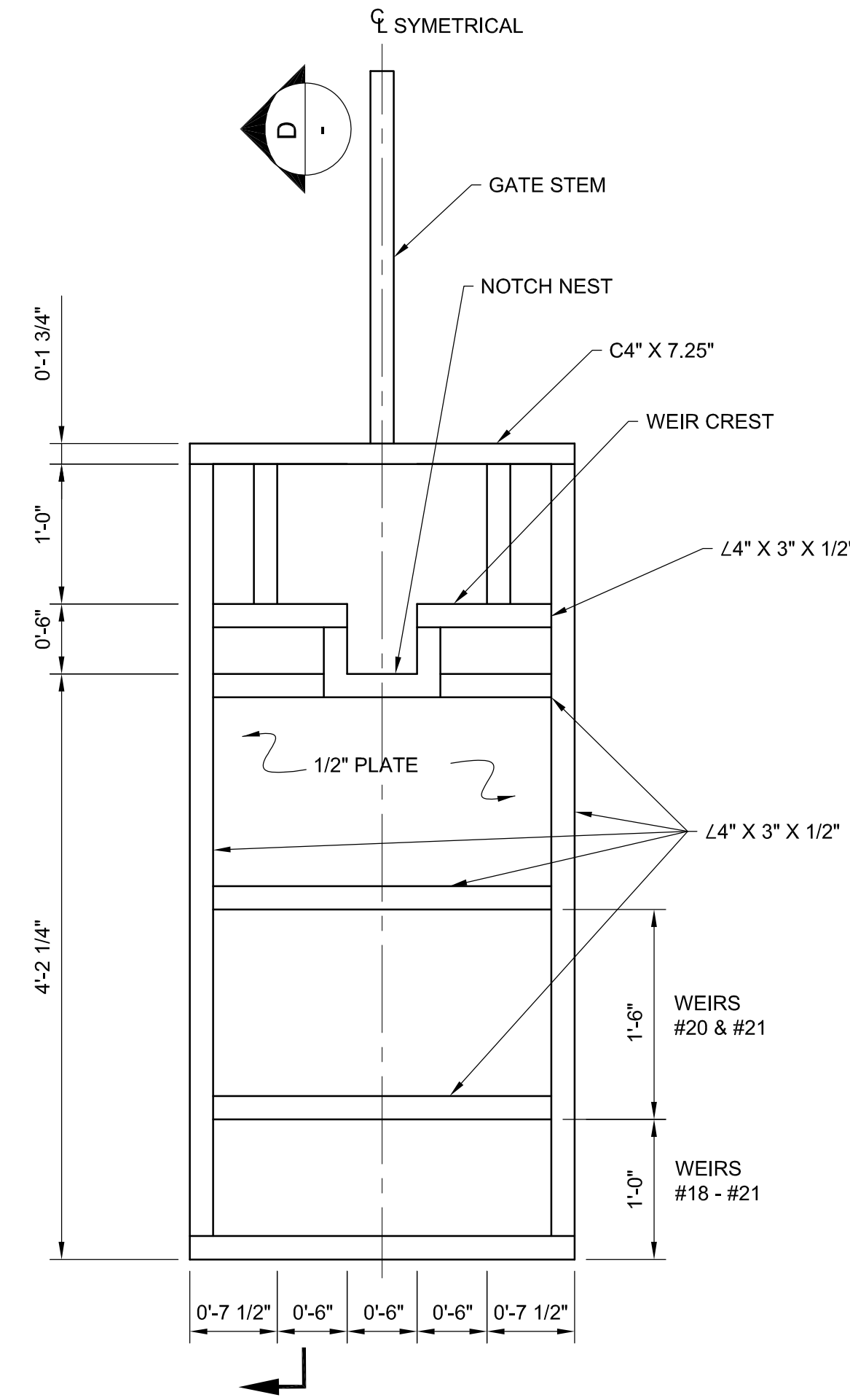
CAD FILE: 4961_12_C-113-REV A.DWG



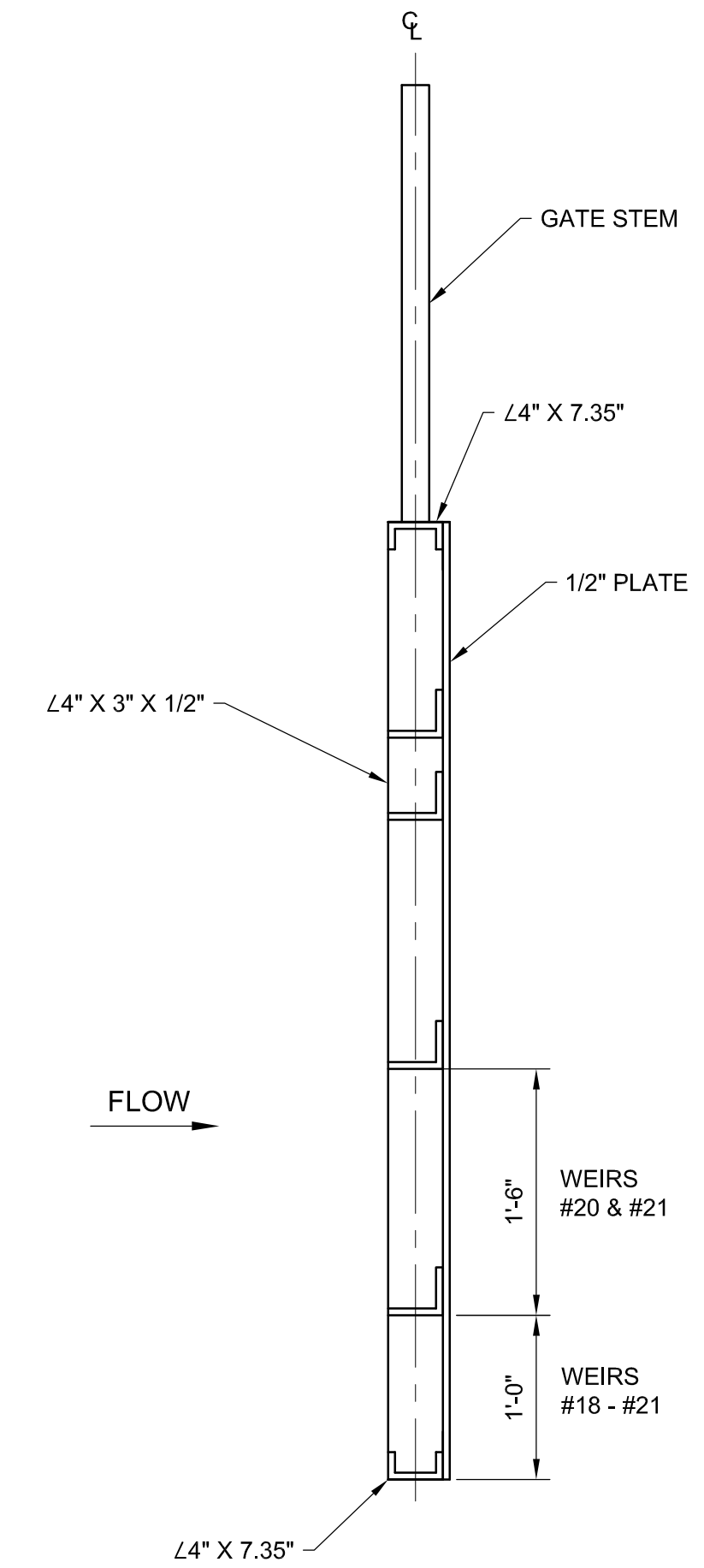
A FIXED WEIR SECTION B-B
SCALE: N.T.S.



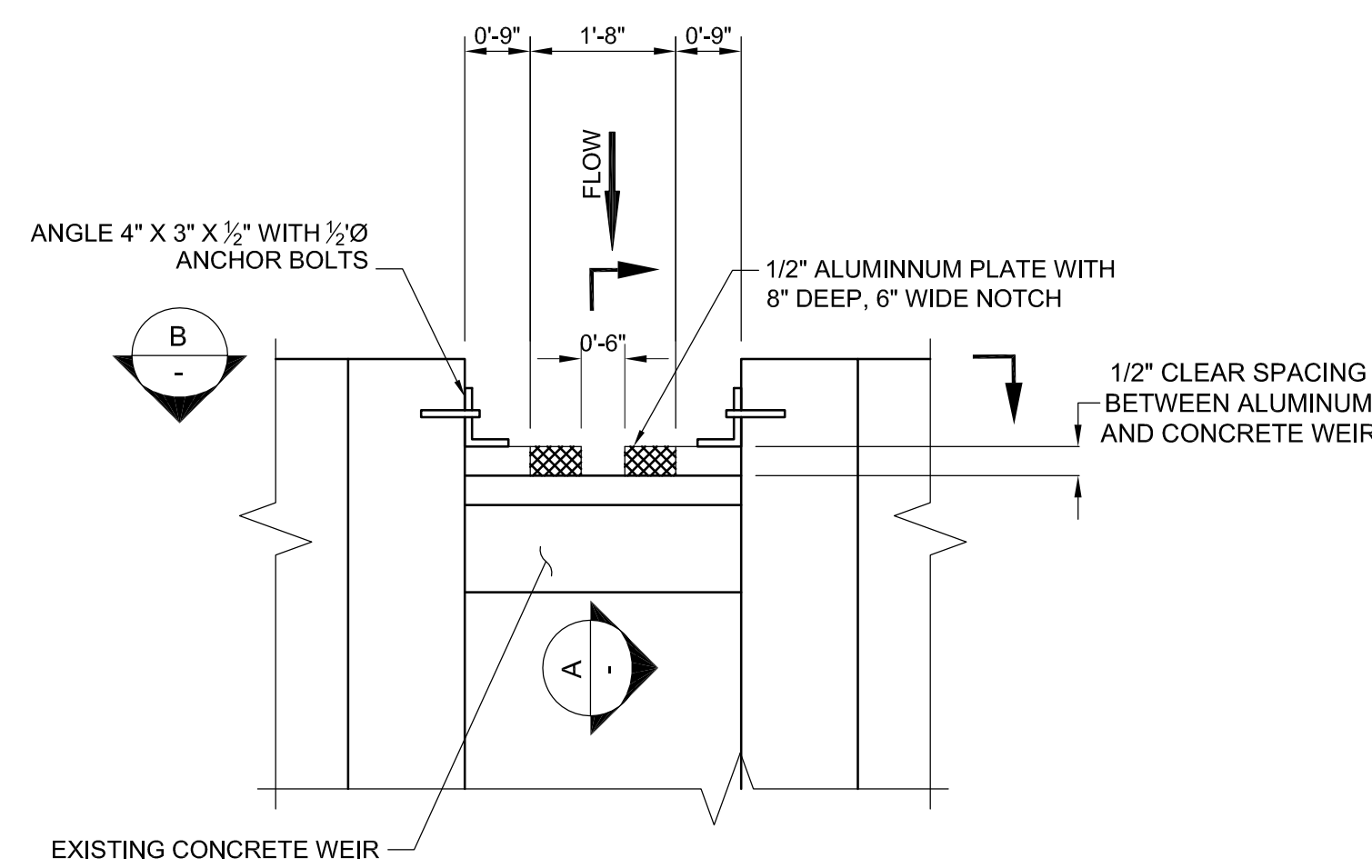
B DETAIL B - REMOVABLE WEIR GUIDE
SCALE: 3\"/>



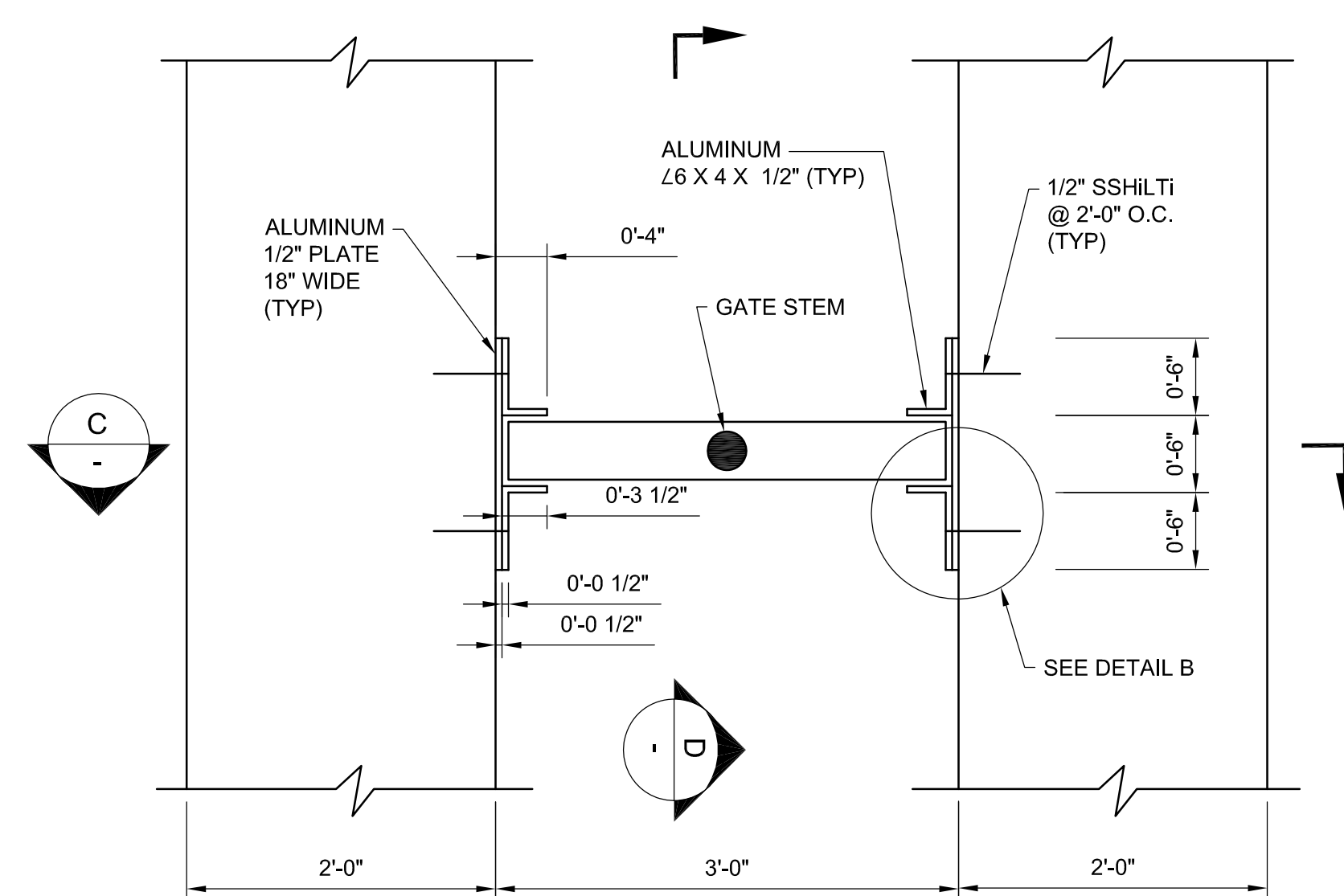
C REMOVABLE WEIR SECTION C-C
SCALE: 1\"/>



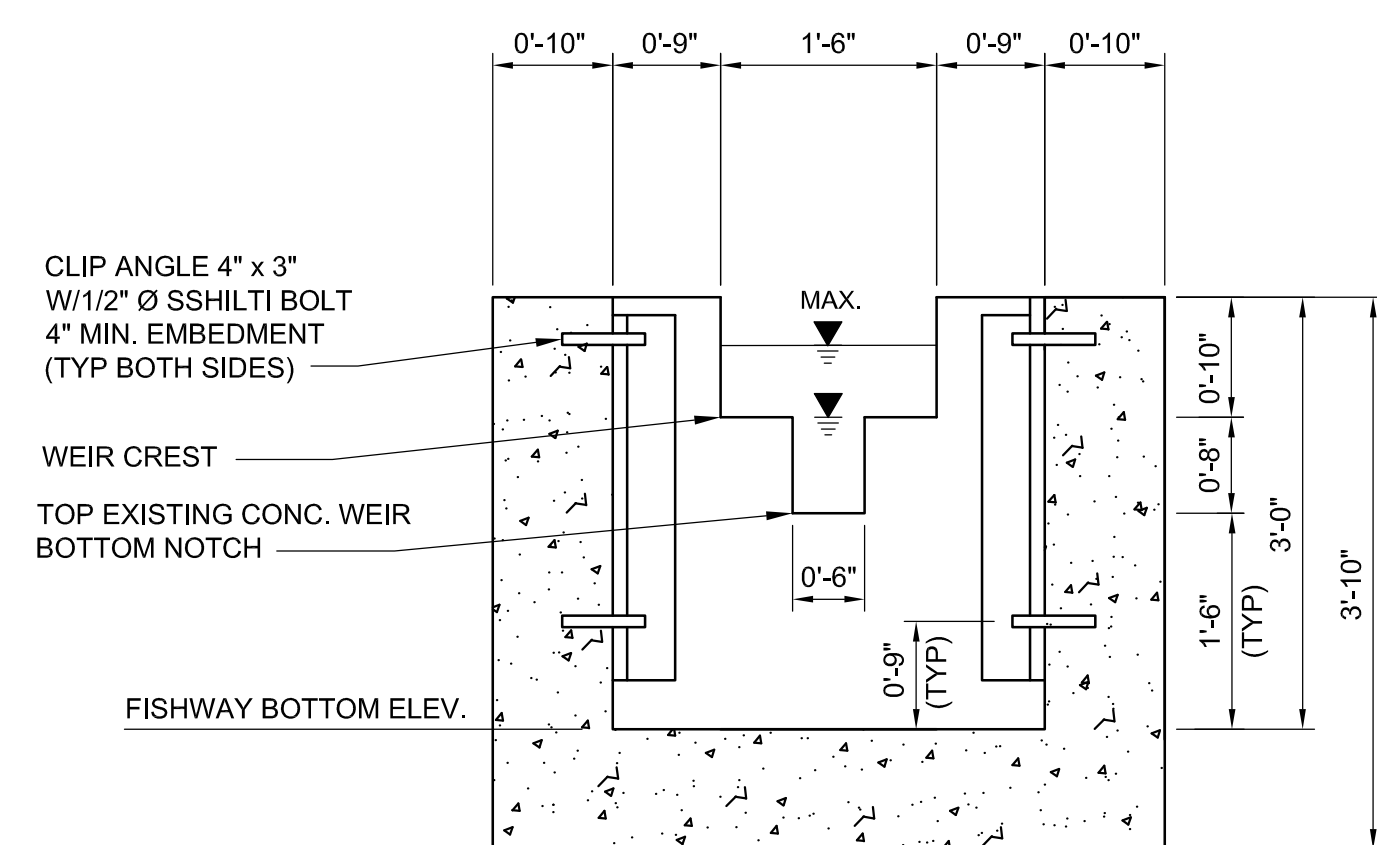
D REMOVABLE WEIR SECTION D-D
SCALE: 1\"/>



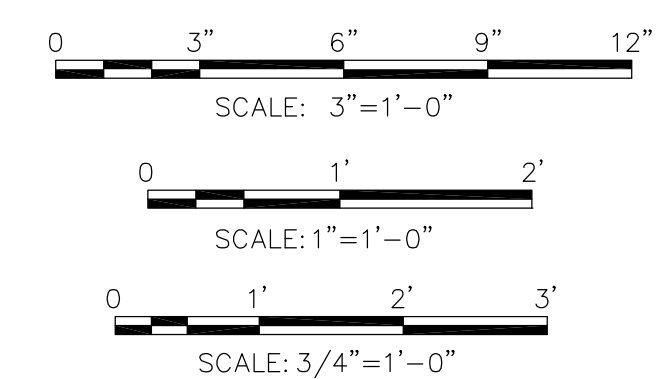
1 FIXED WEIR PLAN
SCALE: N.T.S.



2 REMOVABLE WEIR PLAN
SCALE: 1\"/>



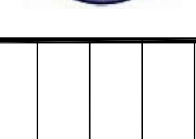
3 TYPICAL FIXED WEIR MODIFICATION
SCALE: 3/4\"/>



**ISSUED FOR 60% DESIGN REVIEW
- NOT FOR CONSTRUCTION -**



PREPARED FOR:
**TOWN OF SCITUATE
DEPARTMENT OF PUBLIC WORKS**
600 CHIEF JUSTICE CUSHING HIGHWAY
SCITUATE, MASSACHUSETTS 02066
TEL: (508) 546-4731



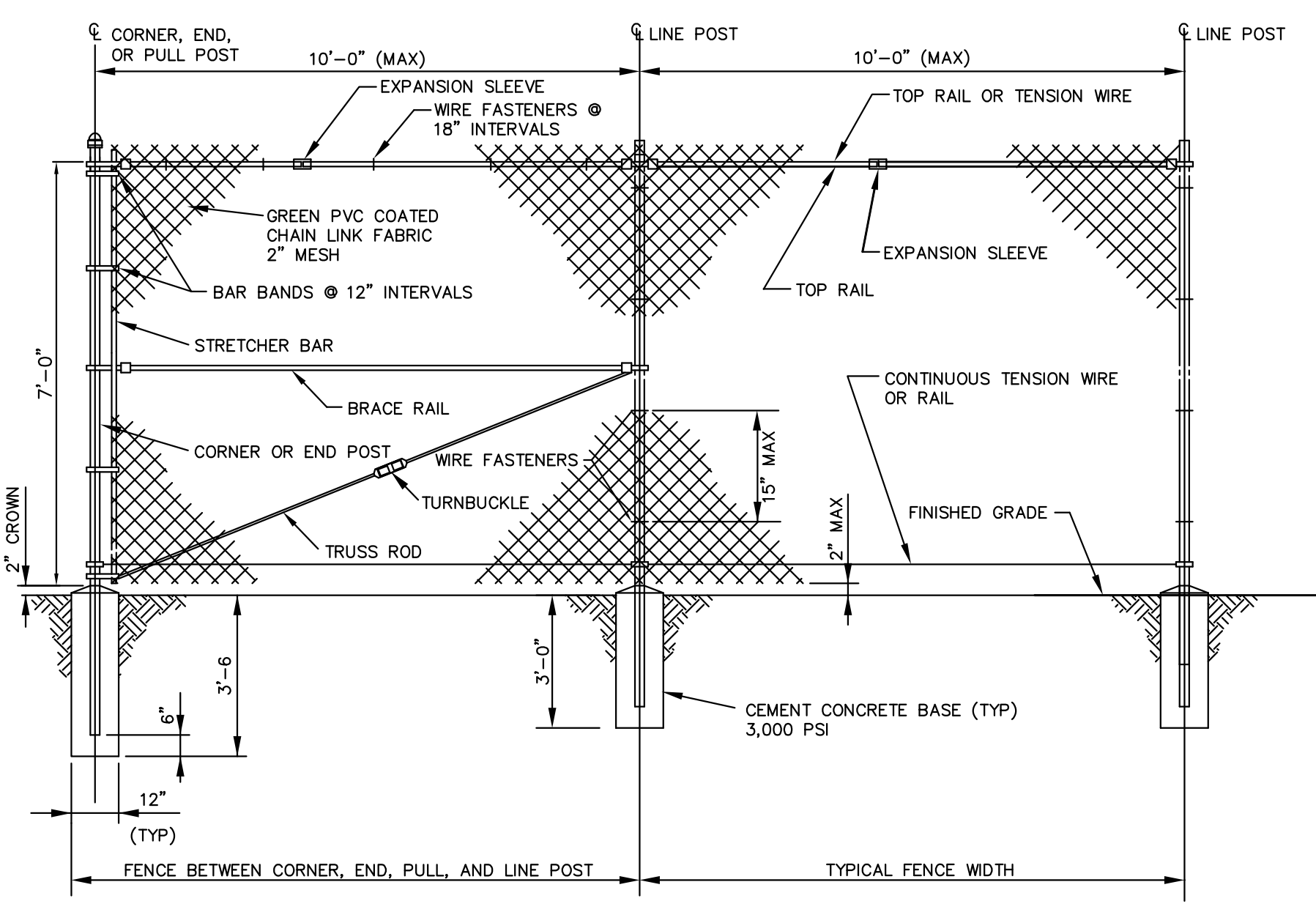
MARK	DATE	DESCRIPTION
A	06/28/17	ISSUED FOR 60% DESIGN REVIEW

RESERVOIR DAM WATER STORAGE AND FISH PASSAGE IMPROVEMENT PROJECT
SCITUATE, PLYMOUTH COUNTY, MASSACHUSETTS

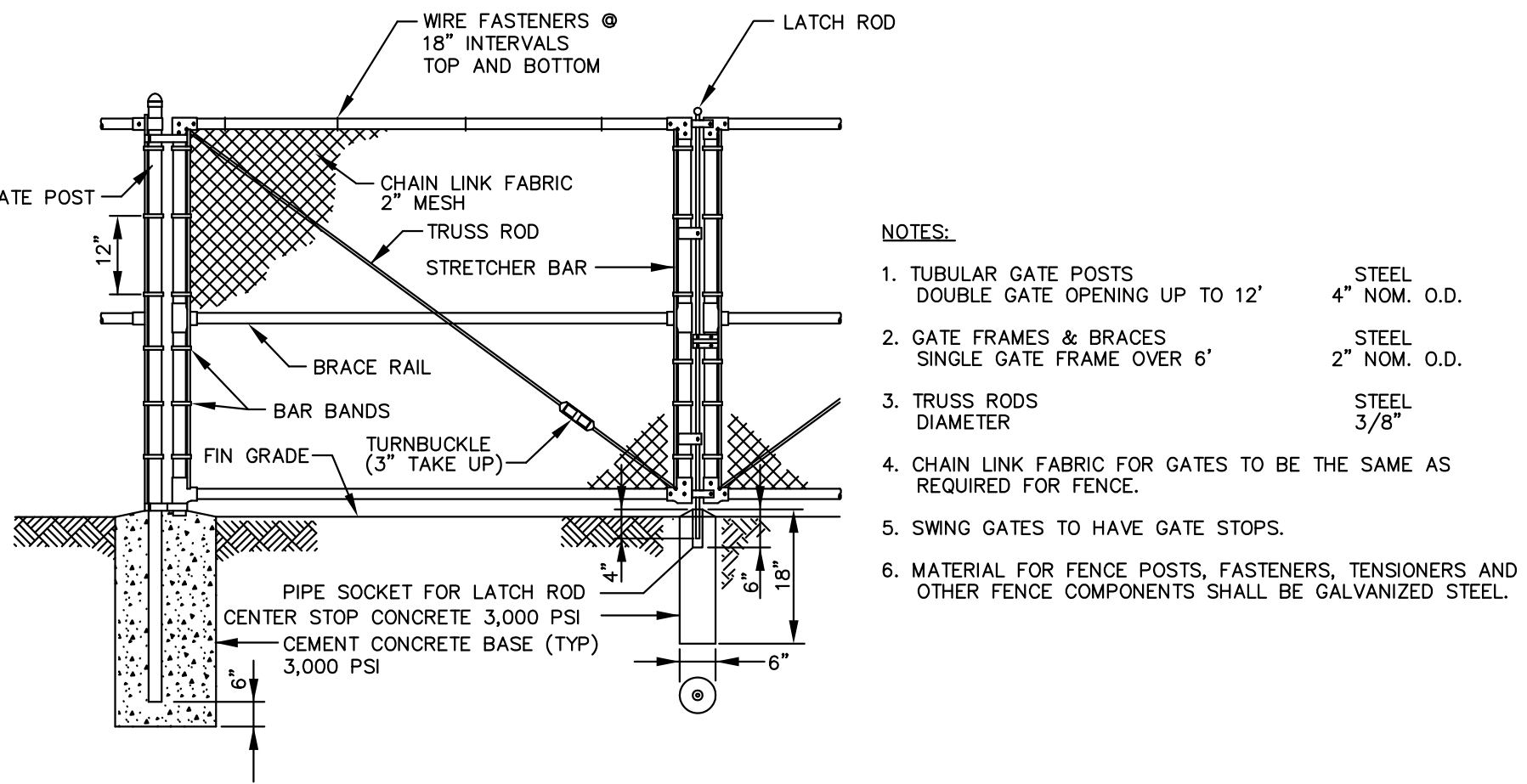
Project No.: 194-5938
Designed By: T. Cook
Drawn By: F. Menichelli
Checked By: M. Worthy

C-114

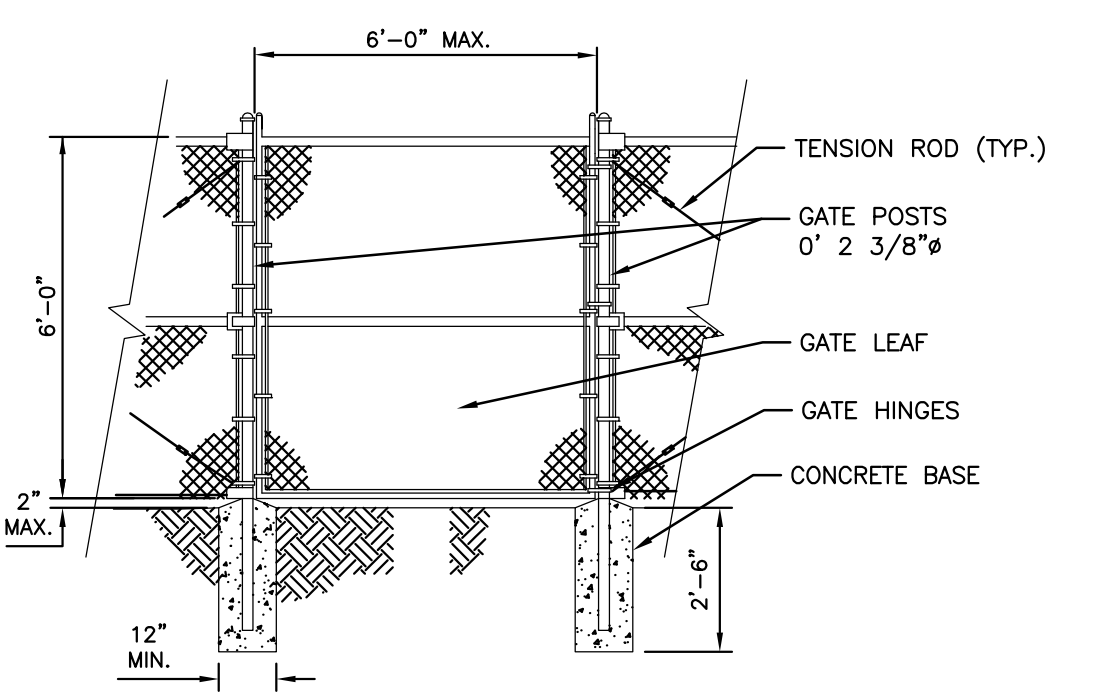
6/28/2017 12:20:36 PM - D:\CAD-TEMP FILES\PROJECTS\SCTUATE RESERVOIR DAM-4961 (CAD-60% DESIGN)\CAD\60% DESIGN\WORKING\60%_REV C DRAWINGS\4961_12_C-115-REV A.DWG - MENCHIELLI, FOSTER



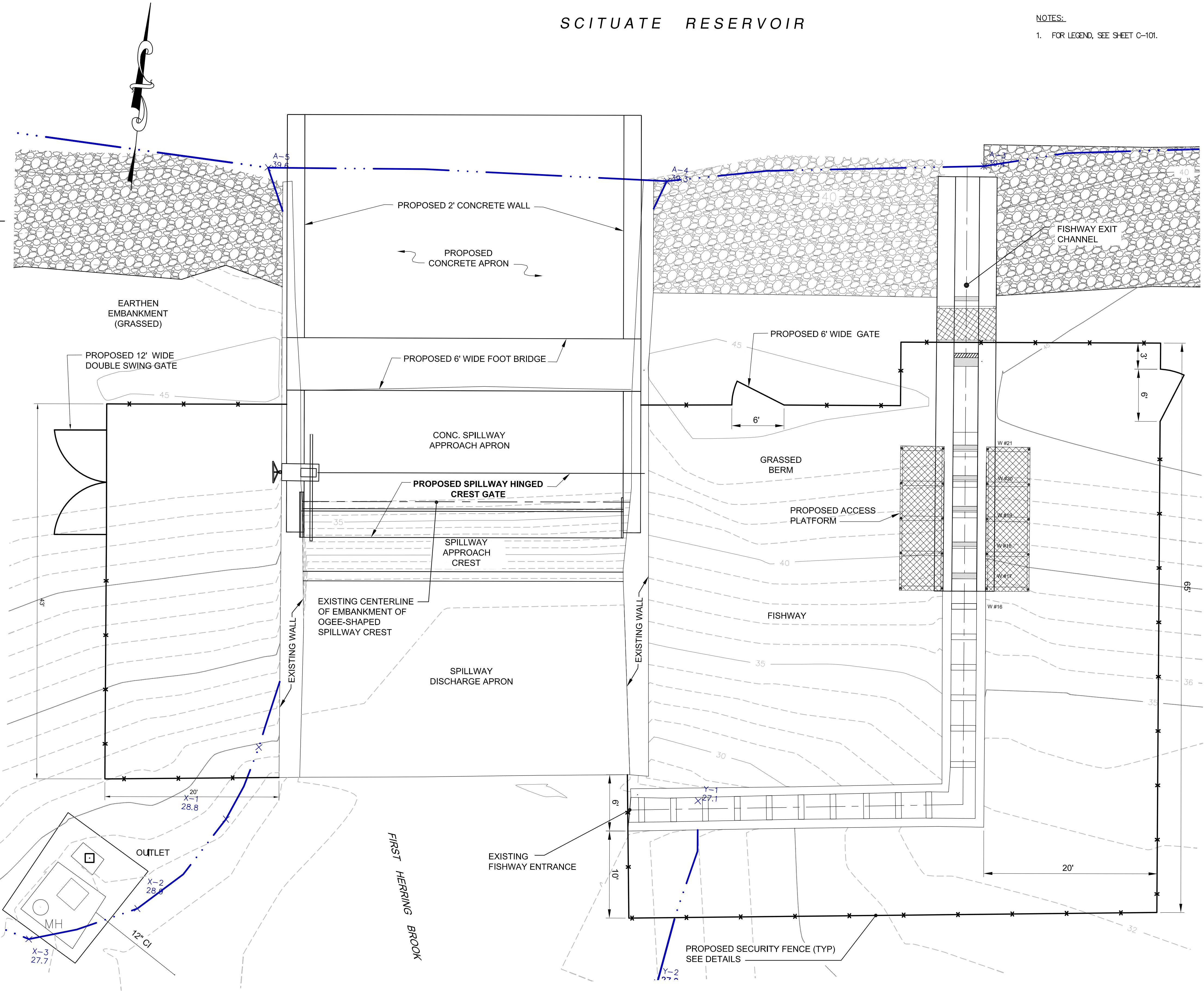
1 CHAIN LINK FENCE DETAIL
SCALE: NTS



2 12' DOUBLE SWING GATE FENCE DETAIL
SCALE: NTS



3 4' TO 6' SINGLE GATE FENCE DETAIL
SCALE: NTS



SECURITY FENCE LAYOUT
SCALE: 1" = 6'-0"
SCALE IN FEET

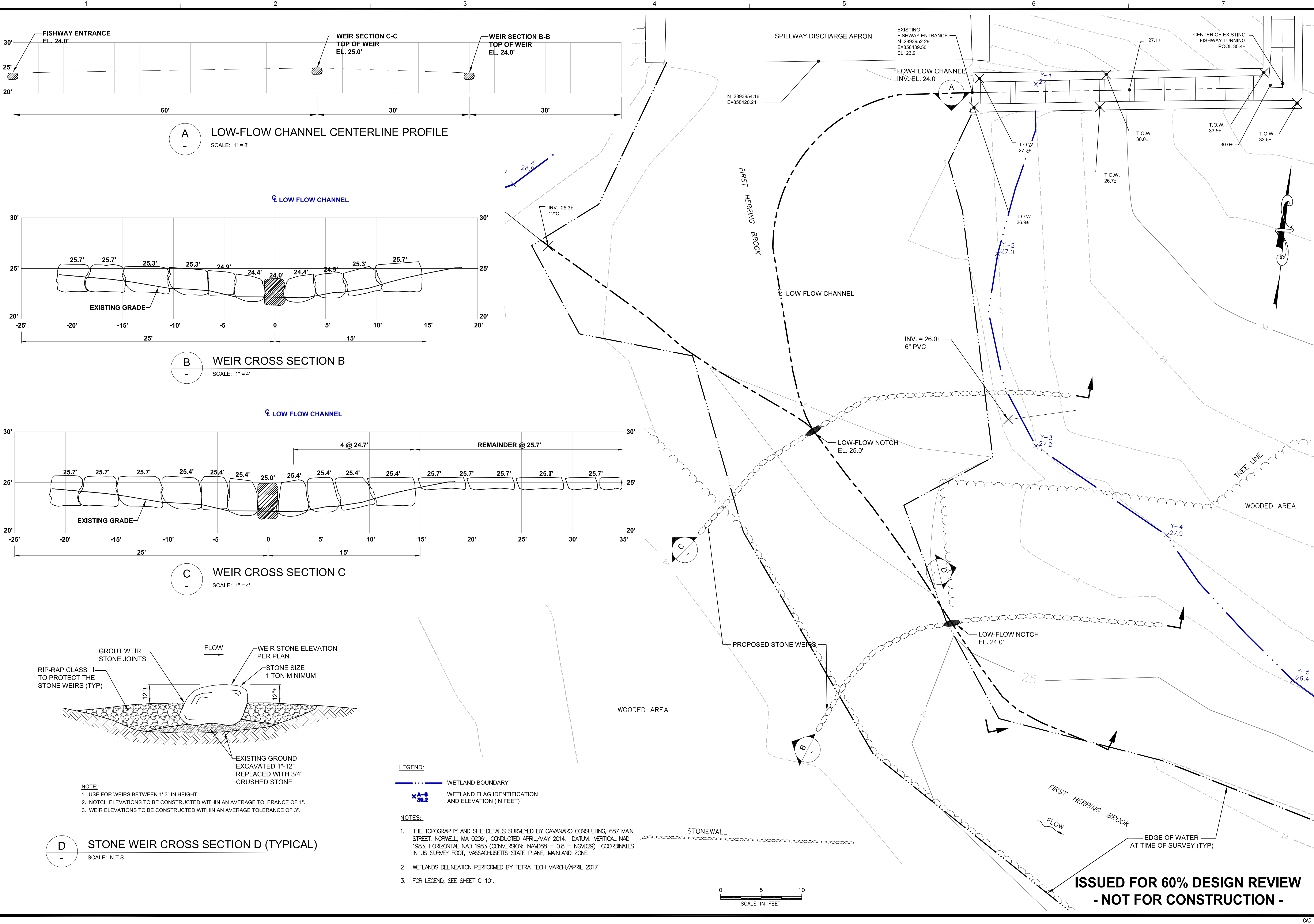
NOTES:
1. FOR LEGEND, SEE SHEET C-101.

MARK	DATE	DESCRIPTION
A	06/28/17	ISSUED FOR 60% DESIGN REVIEW

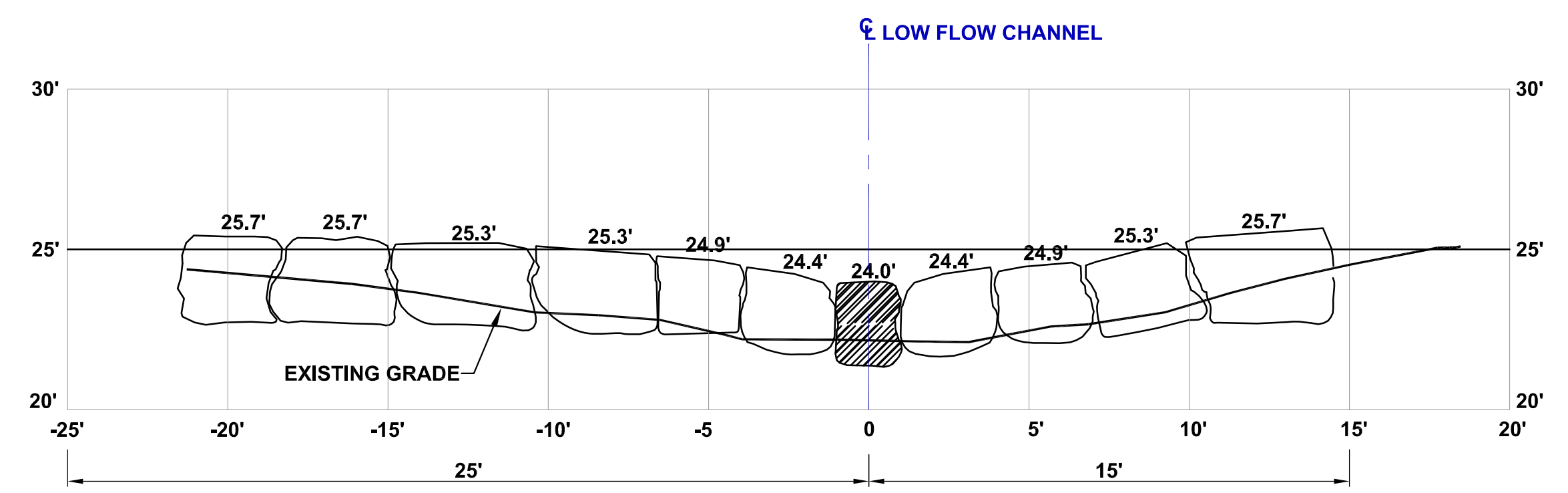
BY	TC

**ISSUED FOR 60% DESIGN REVIEW
- NOT FOR CONSTRUCTION -**

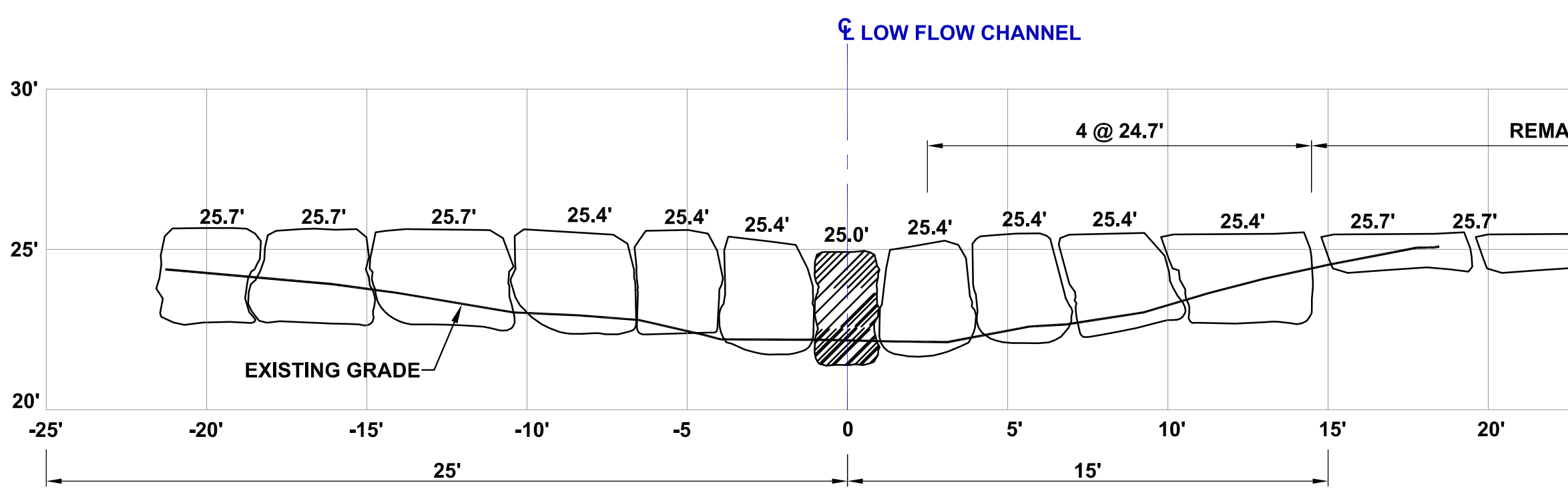
6/28/2017 12:25:00 PM - D:\CAD-TEMP FILES\PROJECTS\SCTUATE RESERVOIR DAM-4961 (CAD-60% DESIGN)\CAD\60% DESIGN\WORKING\60%_REV C DRAWINGS\4961_12_C-116-REV C.DWG - MENCHIELLI, FOSTER



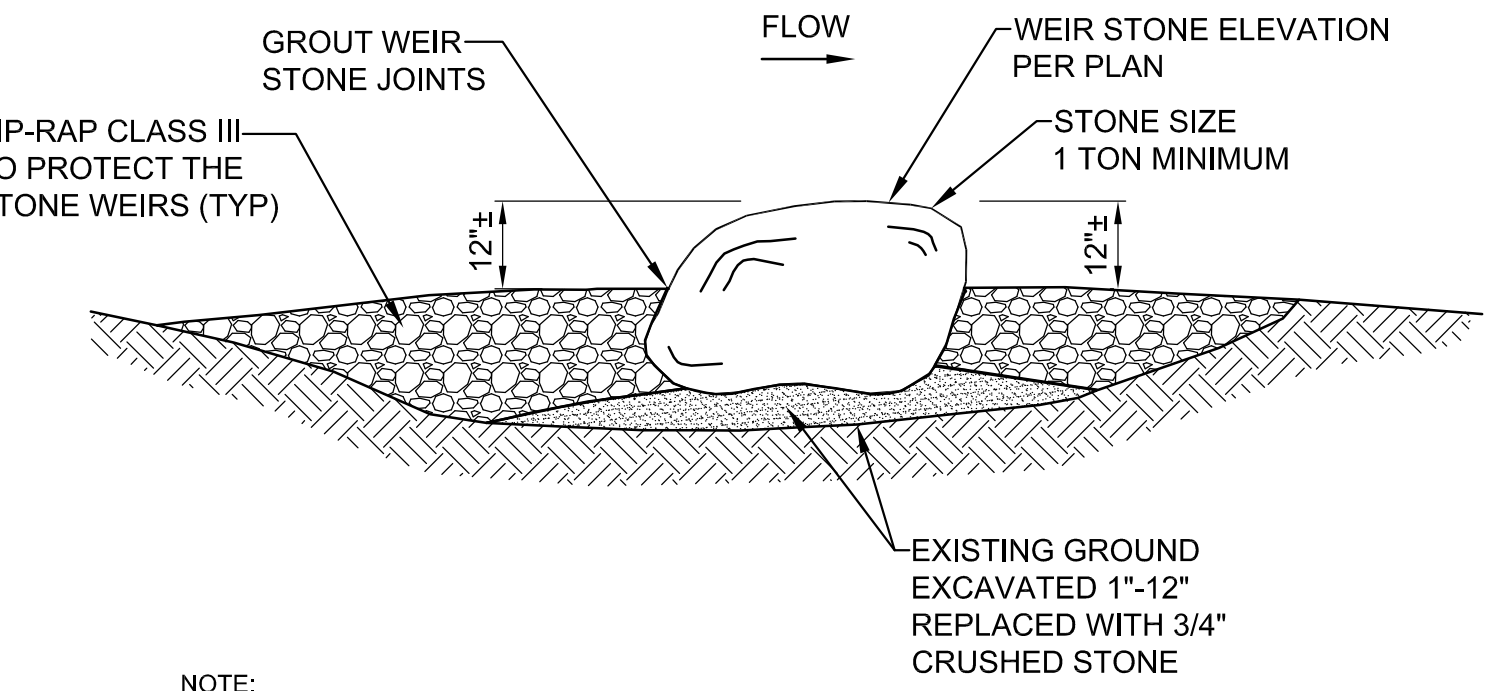
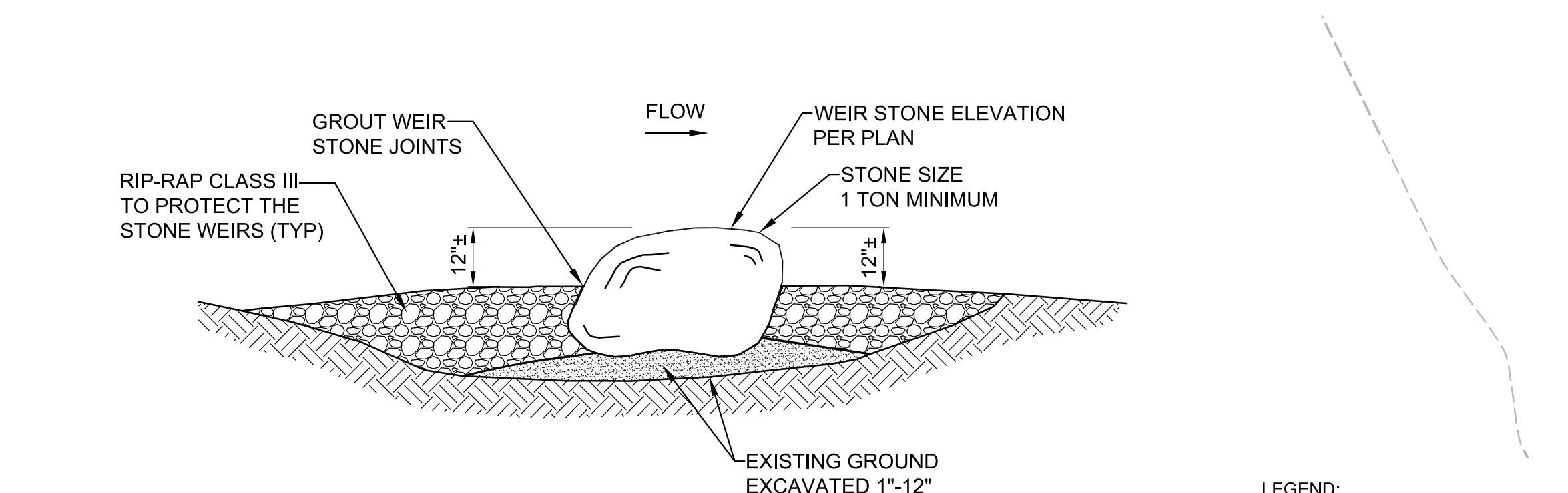
A LOW-FLOW CHANNEL CENTERLINE PROFILE
SCALE: 1" = 8'



B WEIR CROSS SECTION B
SCALE: 1" = 4'



C WEIR CROSS SECTION C
SCALE: 1" = 4'

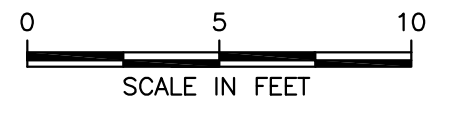


- NOTE:**
- USE FOR WEIRS BETWEEN 1'-3" IN HEIGHT.
 - NOTCH ELEVATIONS TO BE CONSTRUCTED WITHIN AN AVERAGE TOLERANCE OF 1".
 - WEIR ELEVATIONS TO BE CONSTRUCTED WITHIN AN AVERAGE TOLERANCE OF 3".

D STONE WEIR CROSS SECTION D (TYPICAL)
SCALE: N.T.S.

- LEGEND:**
- WETLAND BOUNDARY
 - WETLAND FLAG IDENTIFICATION AND ELEVATION (IN FEET)

- NOTES:**
- THE TOPOGRAPHY AND SITE DETAILS SURVEYED BY CAVANARO CONSULTING, 687 MAIN STREET, NORWELL, MA 02061, CONDUCTED APRIL/MAY 2014. DATUM: VERTICAL NAD 1983, HORIZONTAL NAD 1983 (CONVERSION: NAVD88 = 0.8 = NGVD29). COORDINATES IN US SURVEY FOOT, MASSACHUSETTS STATE PLANE, MAINLAND ZONE.
 - WETLANDS DELINEATION PERFORMED BY TETRA TECH MARCH/APRIL 2017.
 - FOR LEGEND, SEE SHEET C-101.



TETRA TECH
www.tetra-tech.com
160 Federal Street, 3rd Floor
Boston, MA 02110
Phone: (617) 443-7500 Fax: (617) 737-5480

PREPARED FOR:
TOWN OF SITUATE
DEPARTMENT OF PUBLIC WORKS
600 CHIEF JUSTICE CUSHING HIGHWAY
SITUATE, MASSACHUSETTS 02066
TEL: (617) 646-4731

MARK	DATE	DESCRIPTION	BY	TC
C	06/28/17	ISSUED FOR 60% DESIGN REVIEW		TC
B	05/03/17	ISSUED FOR NOT REVIEW		TC

RESERVOIR DAM WATER STORAGE AND FISH PASSAGE IMPROVEMENT PROJECT
SITUATE, PLYMOUTH COUNTY, MASSACHUSETTS

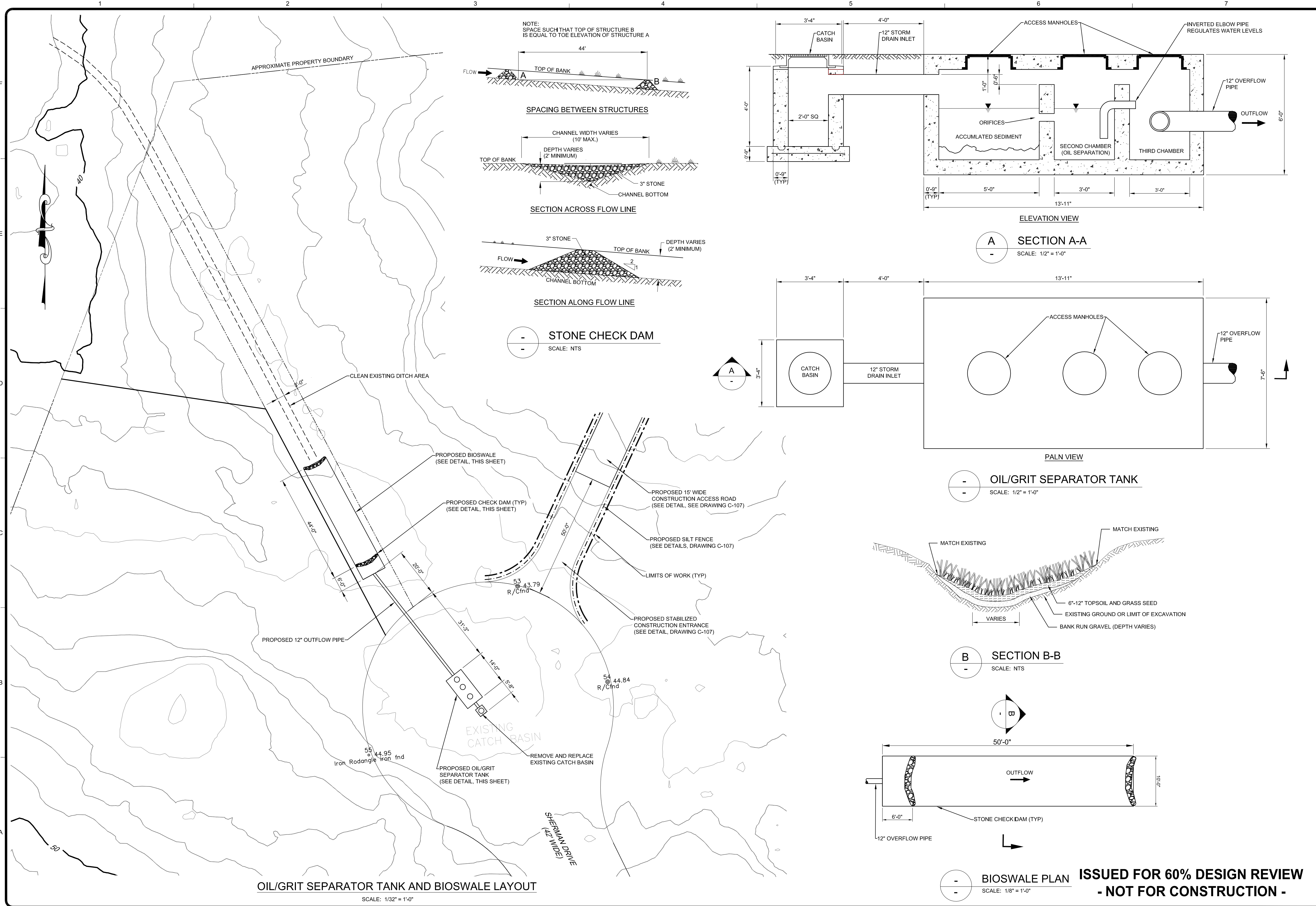
SPILLWAY DISCHARGE CHANNEL MODIFICATIONS

Project No.: 194-5938
Designed By: T. Cook
Drawn By: F. Menichelli
Checked By: N. Marone

C-116

**ISSUED FOR 60% DESIGN REVIEW
- NOT FOR CONSTRUCTION -**

6/27/2017 1:12:59 PM - D:\CAD-TEMP FILES\PROJECTS\...SCITUATE RESERVOIR DAM-4961 (CAD-60% DESIGN)\WORKING\WORKING-60%...REV C DRAWINGS\4961_12_C-117-REV A.DWG - MENCHIELLI, FOSTER



RESERVOIR WATER STORAGE AND FISH PASSAGE IMPROVEMENT PROJECT
 SCITUATE, PLYMOUTH COUNTY, MASSACHUSETTS

TETRA TECH

160 Federal Street, 3rd Floor
 Boston, MA 02110
 Phone: (617) 443-7500 Fax: (617) 737-3480

PREPARED FOR:
TOWN OF SCITUATE
 DEPARTMENT OF PUBLIC WORKS
 600 CHIEF JUSTICE CUSHING HIGHWAY
 SCITUATE, MASSACHUSETTS 02086
 TEL: (508) 454-4373

BY: _____

DATE: _____

DESCRIPTION: _____

MARK: _____

TC

ISSUED FOR 60% DESIGN REVIEW

SHERMAN DRIVE
 STORMWATER CATCH BASIN
 AND BIOSWALE DETAILS

Project No.: 194-5938
 Designed By: T. Cook
 Drawn By: F. Menichelli
 Checked By: M. Worthy

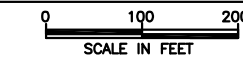
C-117

Copyright: Tetra Tech

CAD FILE: 4961_12_C-117-REV A.DWG

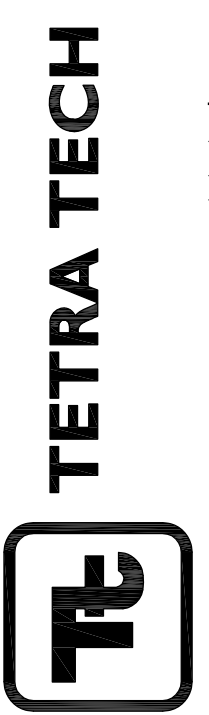


ROUTE 3A SITE



NOTES:

1. THE TOPOGRAPHY AND SITE DETAILS SURVEYED BY CAVANARO CONSULTING, 687 MAIN STREET, NORWELL, MA 02061, CONDUCTED APRIL/MAY 2014. DATUM: VERTICAL NAD 1983, HORIZONTAL NAD 1983 (CONVERSION: NAVD83 = 0.8 = NAD83). COORDINATES IN US SURVEY FOOT, MASSACHUSETTS STATE PLANE, MAINLAND ZONE.
2. WETLANDS DELINEATION PERFORMED BY TETRA TECH MARCH/APRIL 2017.
3. FOR LEGEND, SEE SHEET C-101.



www.tetra.tech.com
160 Federal Street, 3rd Floor
Boston, MA 02110
Phone: (617) 443-7500 Fax: (617) 737-9480

PREPARED FOR:
**TOWN OF SCITUATE
DEPARTMENT OF PUBLIC WORKS**
600 CHIEF JUSTICE CUSHING HIGHWAY
SCITUATE, MASSACHUSETTS 02066
TEL: (508) 546-4371

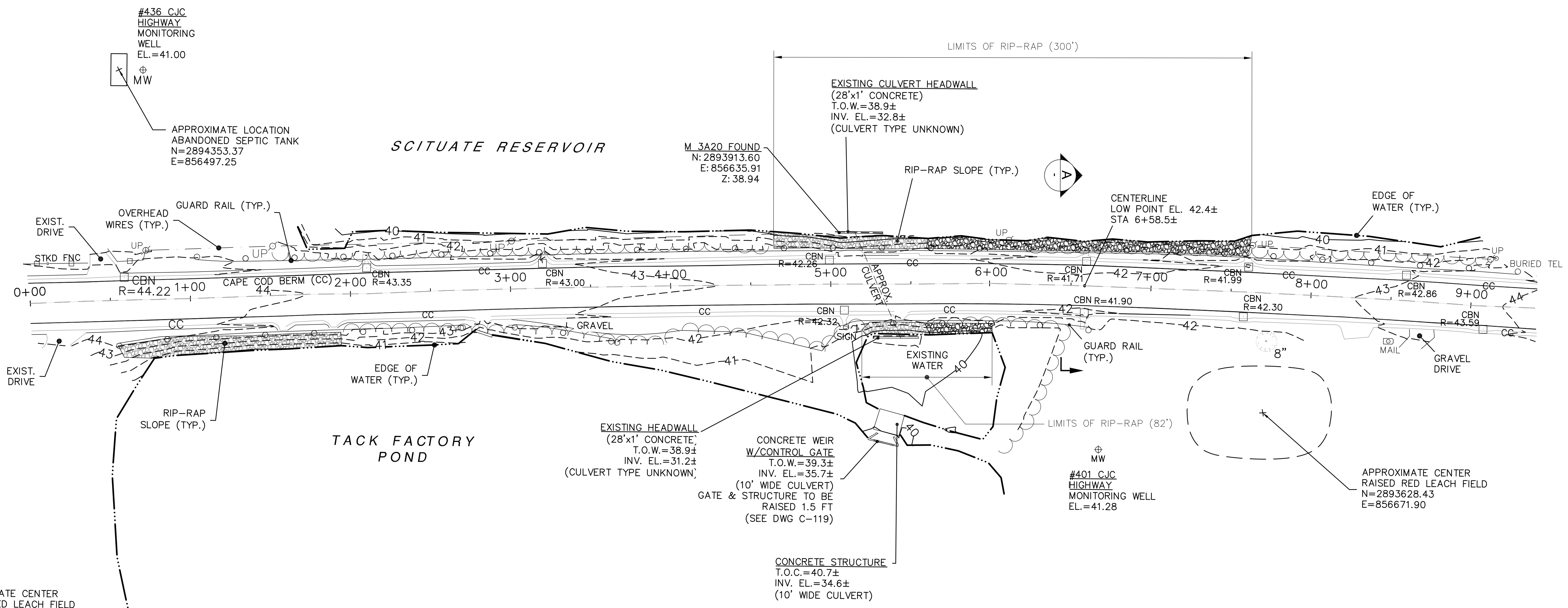
MARK	DATE	DESCRIPTION
A	06/28/17	ISSUED FOR 60% DESIGN REVIEW
TC		

RESERVOIR DAM WATER STORAGE AND FISH PASSAGE IMPROVEMENT PROJECT
SCITUATE, PLYMOUTH COUNTY, MASSACHUSETTS

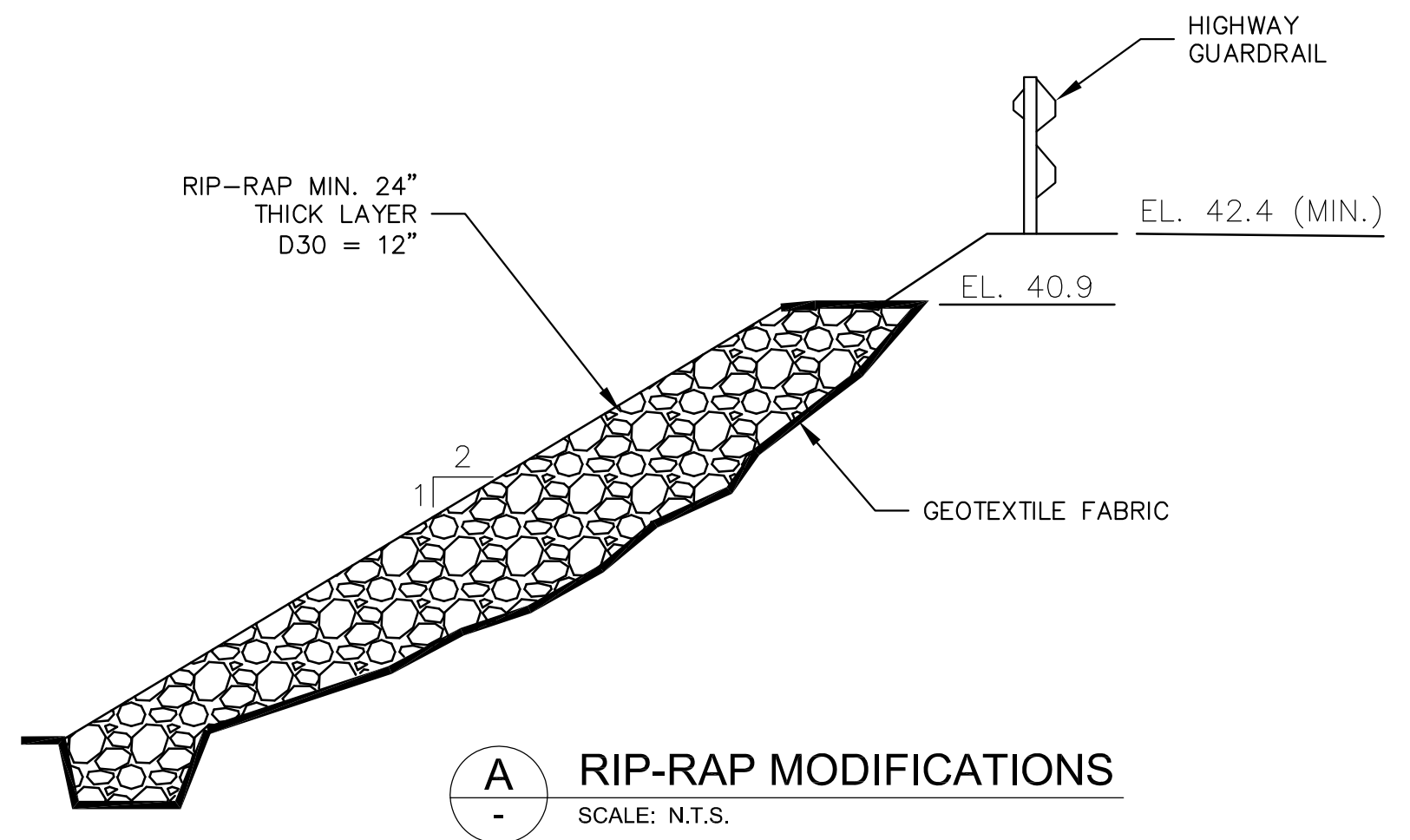
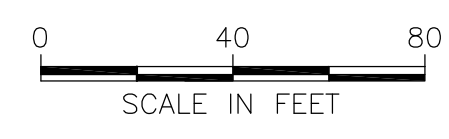
**C.J.C.H. ROADWAY IMPROVEMENTS
PLAN & SECTION**

Project No.: 194-5938
Designed By: T. Cook
Drawn By: F. Menichelli
Checked By: M. Worthy

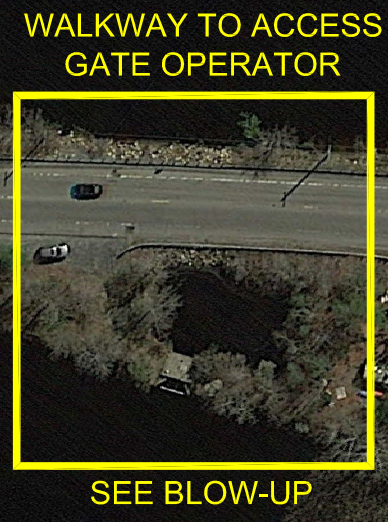
C-118



ROUTE 3A MODIFICATIONS

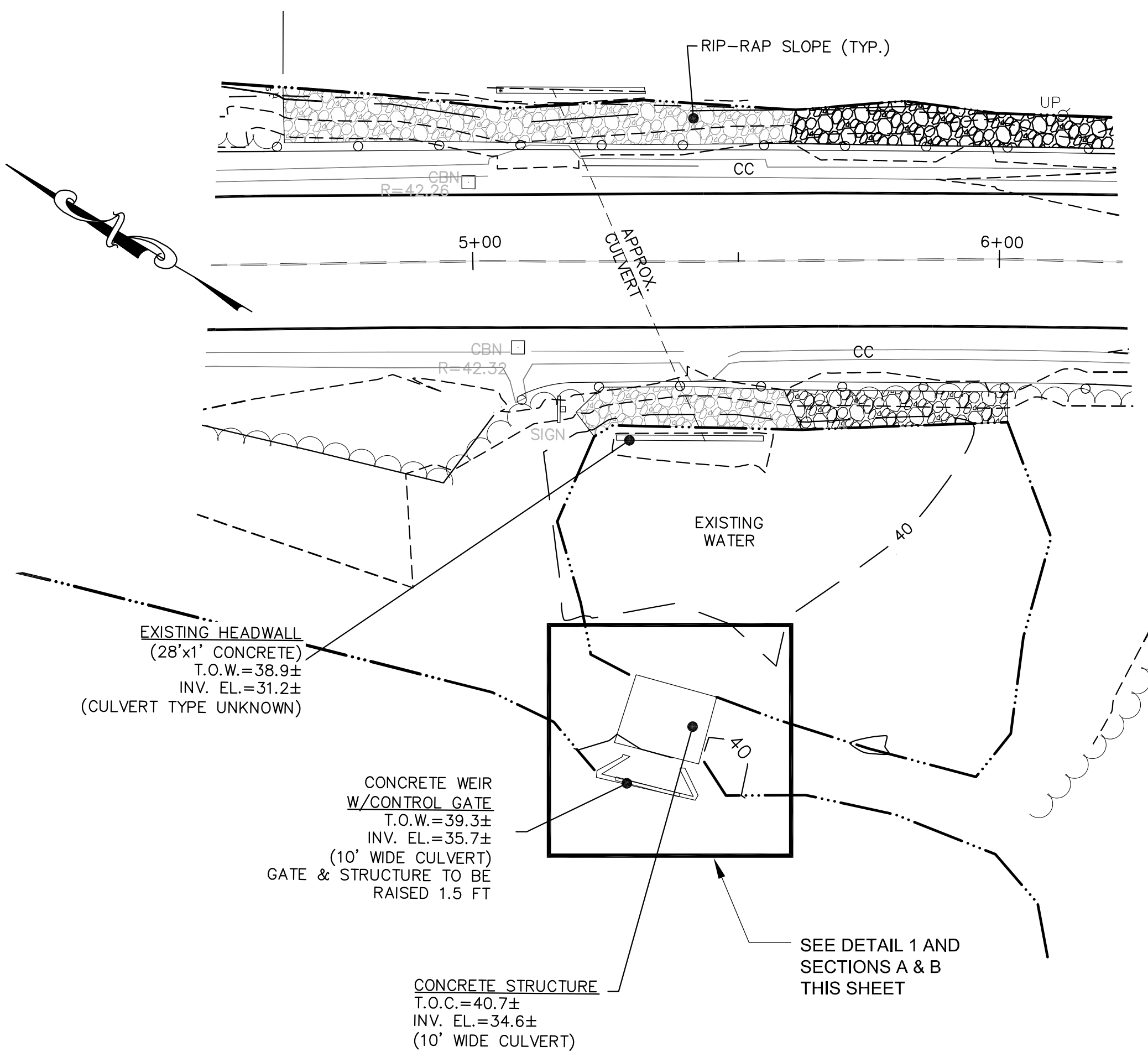


**ISSUED FOR 60% DESIGN REVIEW
- NOT FOR CONSTRUCTION -**



ROUTE 3A SITE

SCALE IN FEET

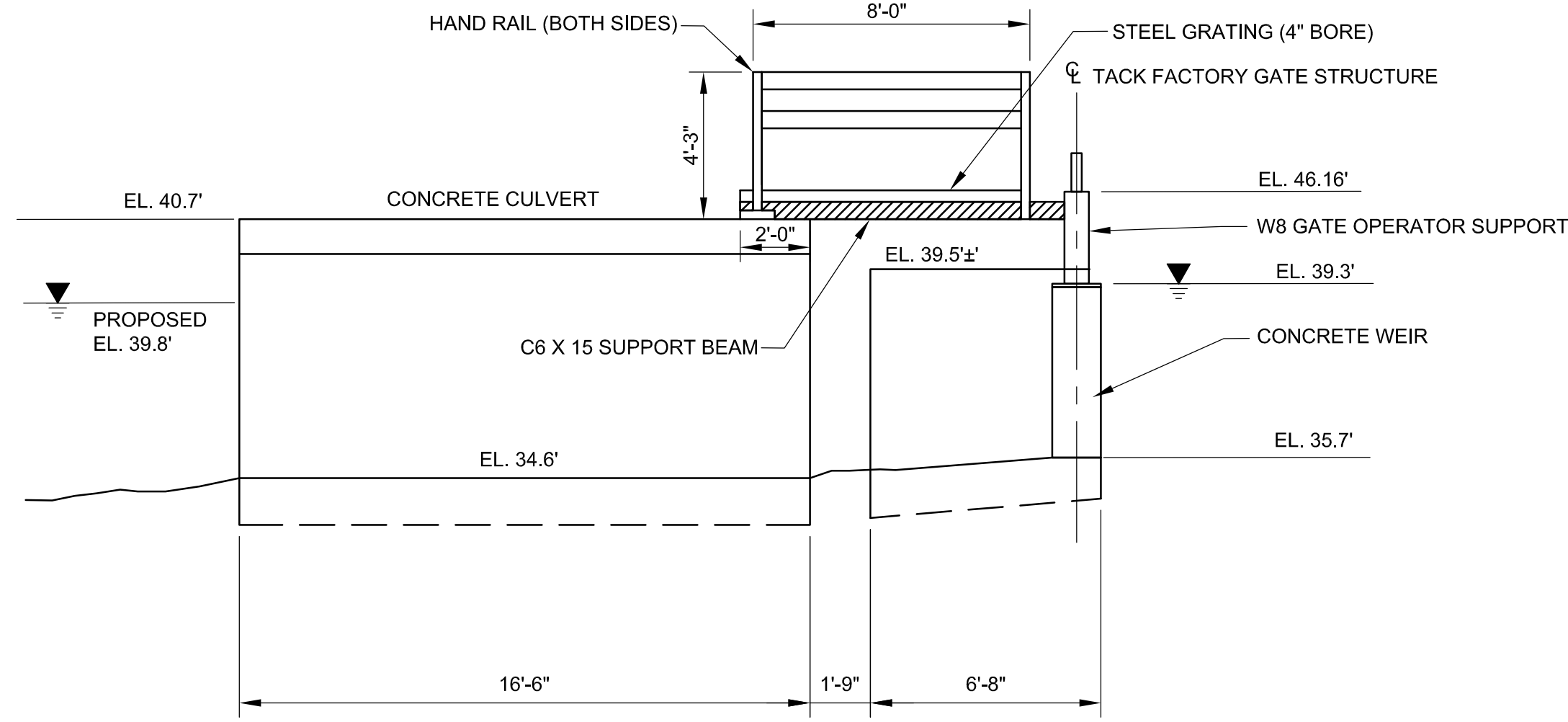


WALKWAY TO ACCESS GATE OPERATOR

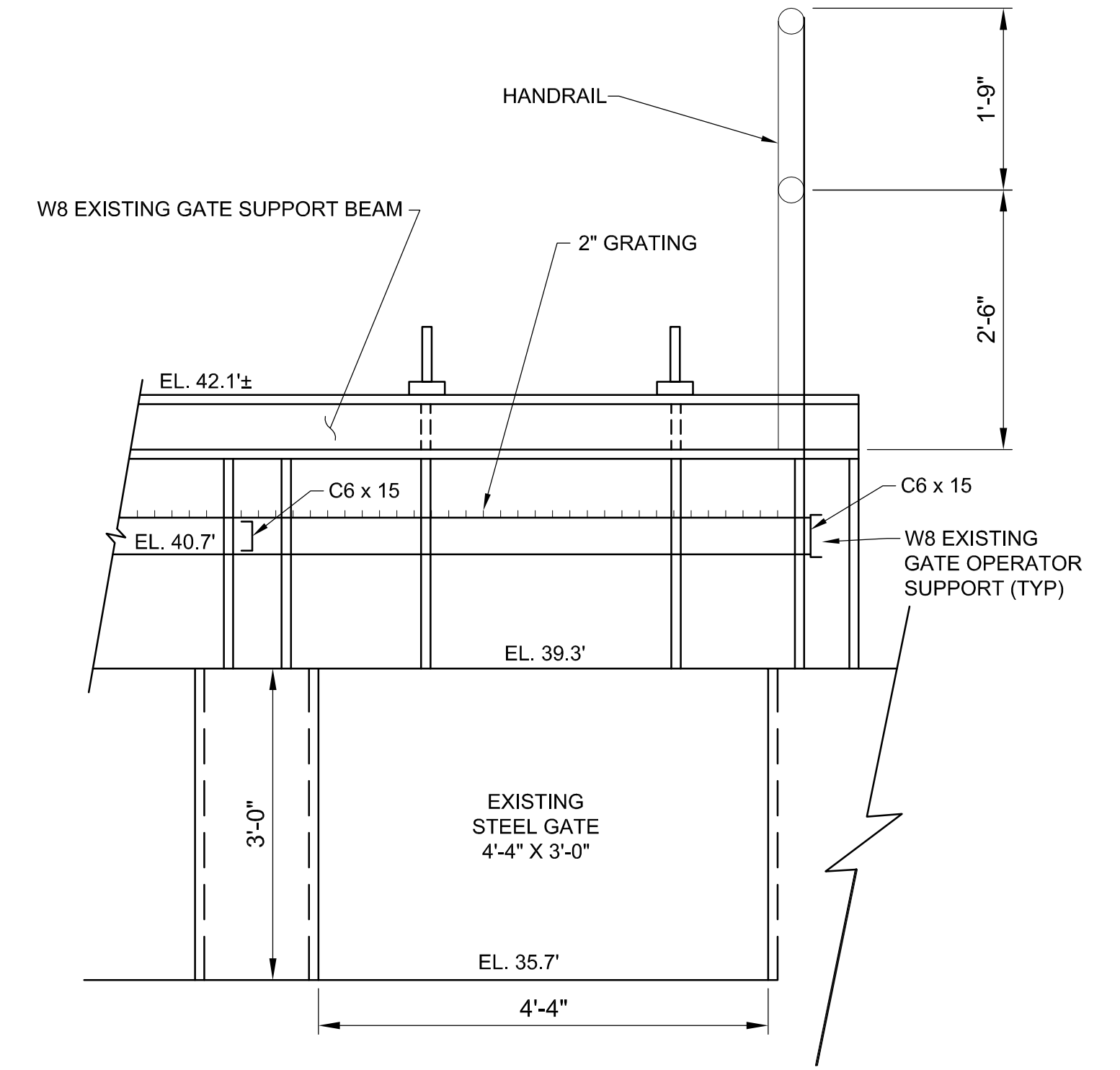
SCALE IN FEET

- LEGEND:**
- WETLAND BOUNDARY
 - WETLAND FLAG IDENTIFICATION AND ELEVATION (IN FEET)

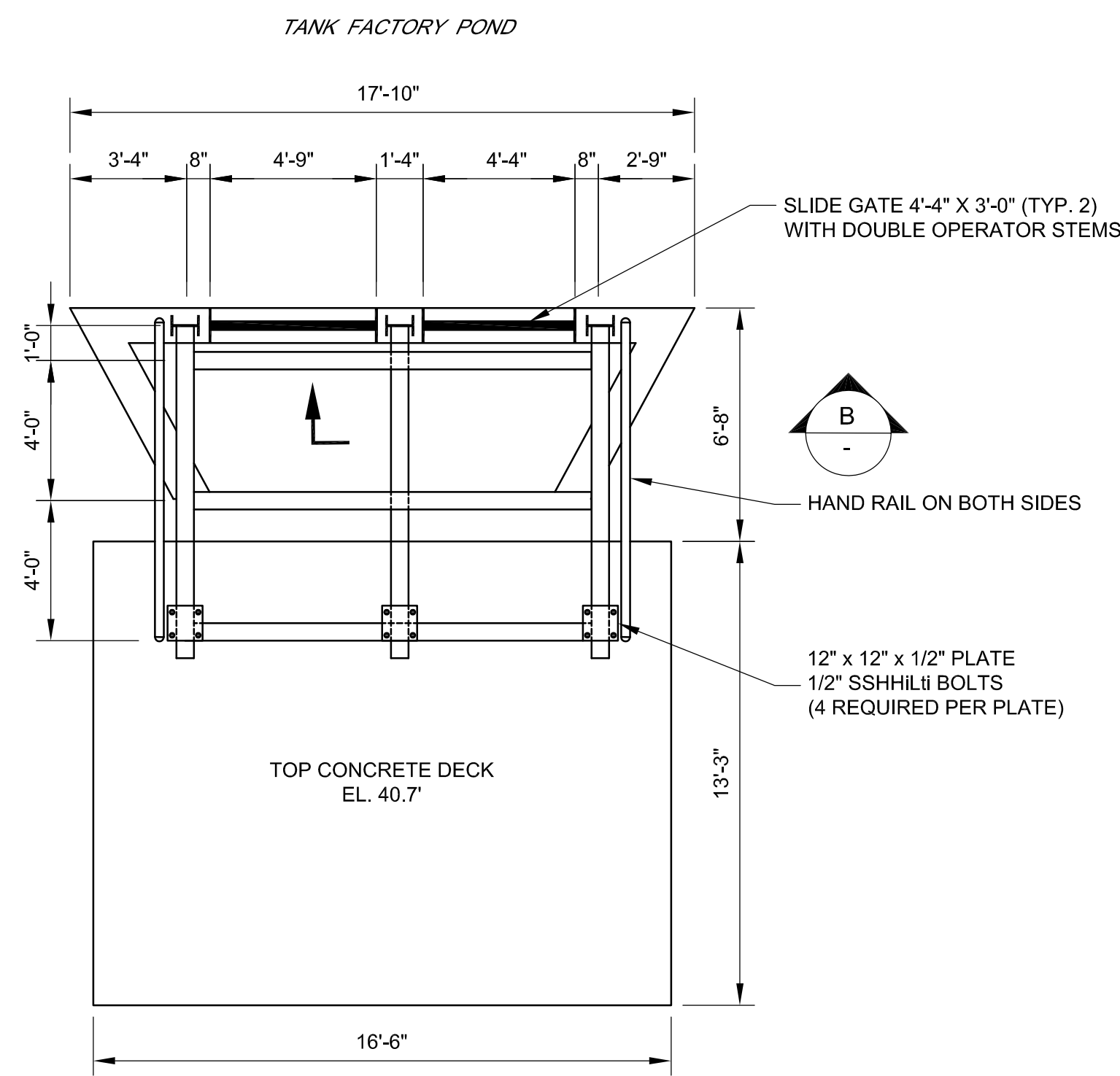
- NOTES:**
1. THE TOPOGRAPHY AND SITE DETAILS SURVEYED BY CAVANARO CONSULTING, 687 MAIN STREET, NORWELL, MA 02061, CONDUCTED APRIL/MAY 2014. DATUM: VERTICAL NAD 1983, HORIZONTAL NAD 1983 (CONVERSION: NAD08 = 0.8 = NAD029). COORDINATES IN US SURVEY FOOT, MASSACHUSETTS STATE PLANE, MAINLAND ZONE.
 2. WETLANDS DELINEATION PERFORMED BY TETRA TECH MARCH/APRIL 2017.
 3. FOR LEGEND, SEE SHEET C-101.



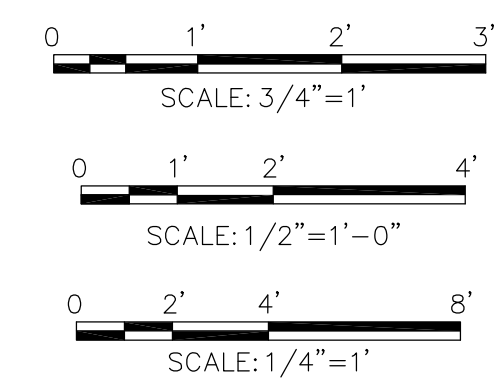
A SECTION A
SCALE: 1/4" = 1'-0"



B SECTION B
SCALE: 3/4" = 1'-0"



1 CONCRETE WEIR STRUCTURE WITH CONTROL GATE OPERATOR ACCESS PLAN
SCALE: 1/4" = 1'-0"



**ISSUED FOR 60% DESIGN REVIEW
- NOT FOR CONSTRUCTION -**



www.tetra.tech.com
160 Federal Street, 3rd Floor
Boston, MA 02110
Phone: (617) 443-7500 Fax: (617) 737-9480

PREPARED FOR:
**TOWN OF SCITUATE
DEPARTMENT OF PUBLIC WORKS**
600 CHIEF JUSTICE CUSHING HIGHWAY
SCITUATE, MASSACHUSETTS 02086
TEL: (508) 448-4731

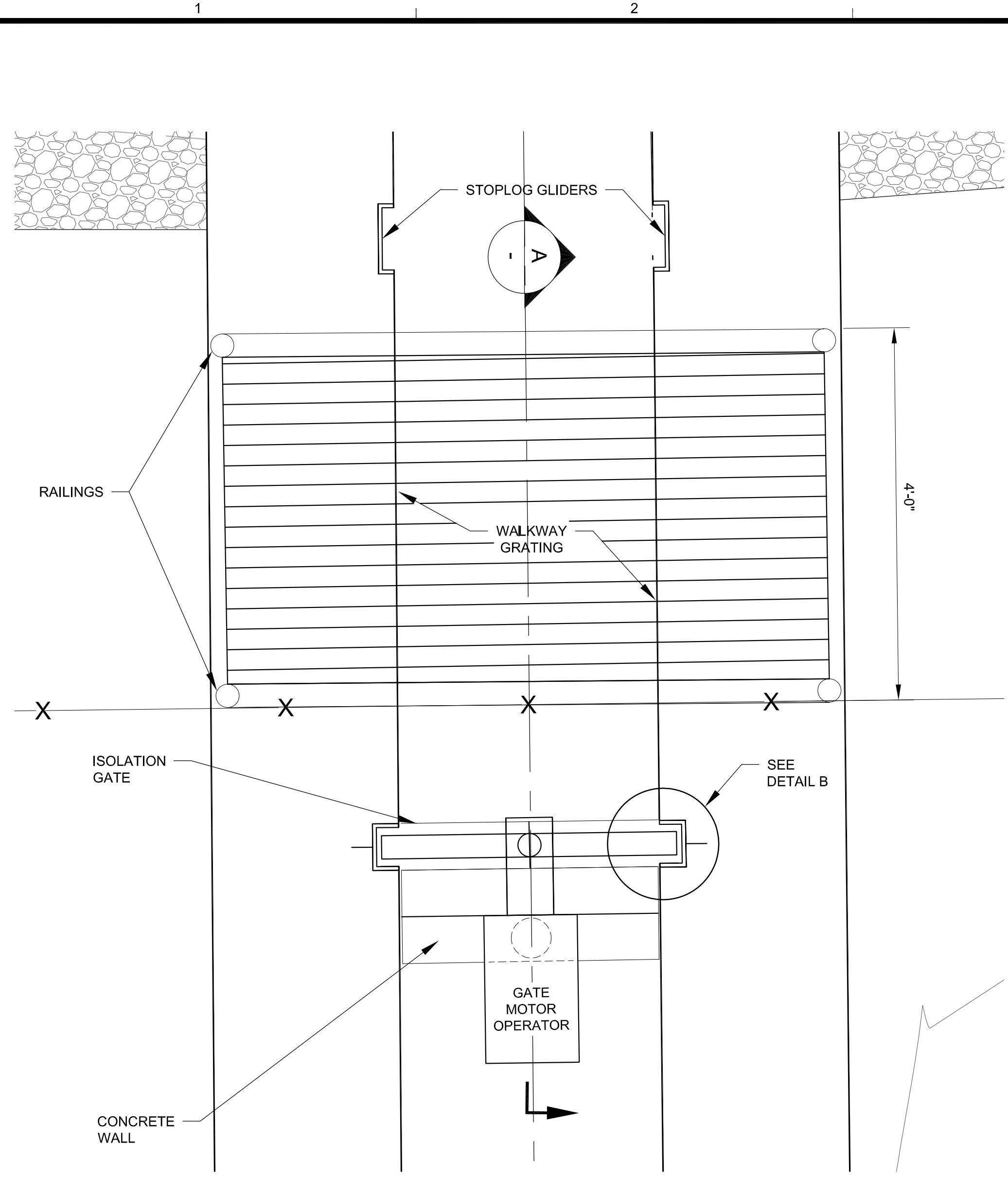
MARK	DATE	DESCRIPTION
A	06/28/17	ISSUED FOR 60% DESIGN REVIEW

RESERVOIR WATER STORAGE AND FISH PASSAGE IMPROVEMENT PROJECT
SCITUATE, PLYMOUTH COUNTY, MASSACHUSETTS

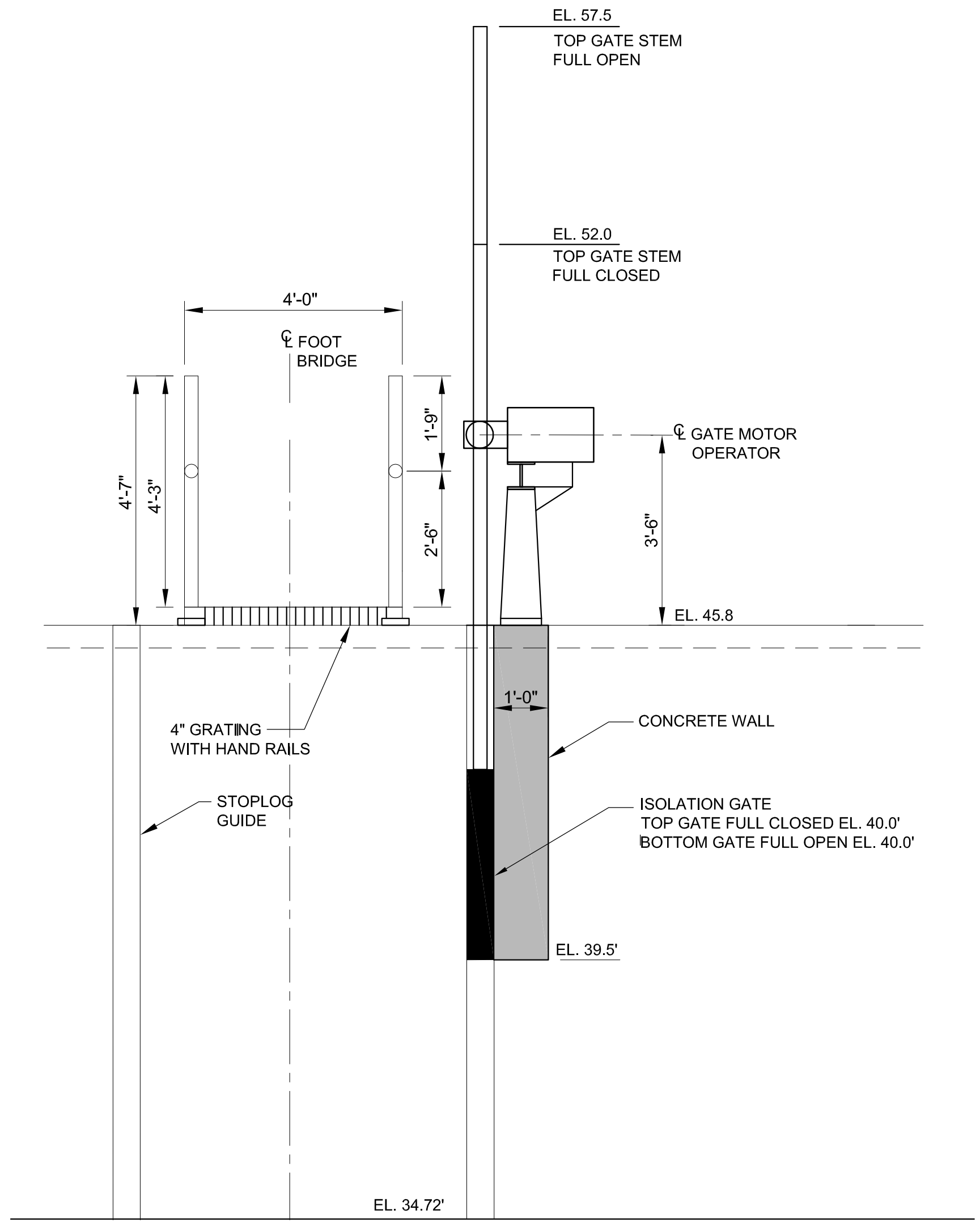
**TANK FACTORY POND
CONTROL GATE ACCESS DETAILS**

Project No.: 194-5938
Designed By: T. Cook
Drawn By: F. Menichelli
Checked By: M. Worthy

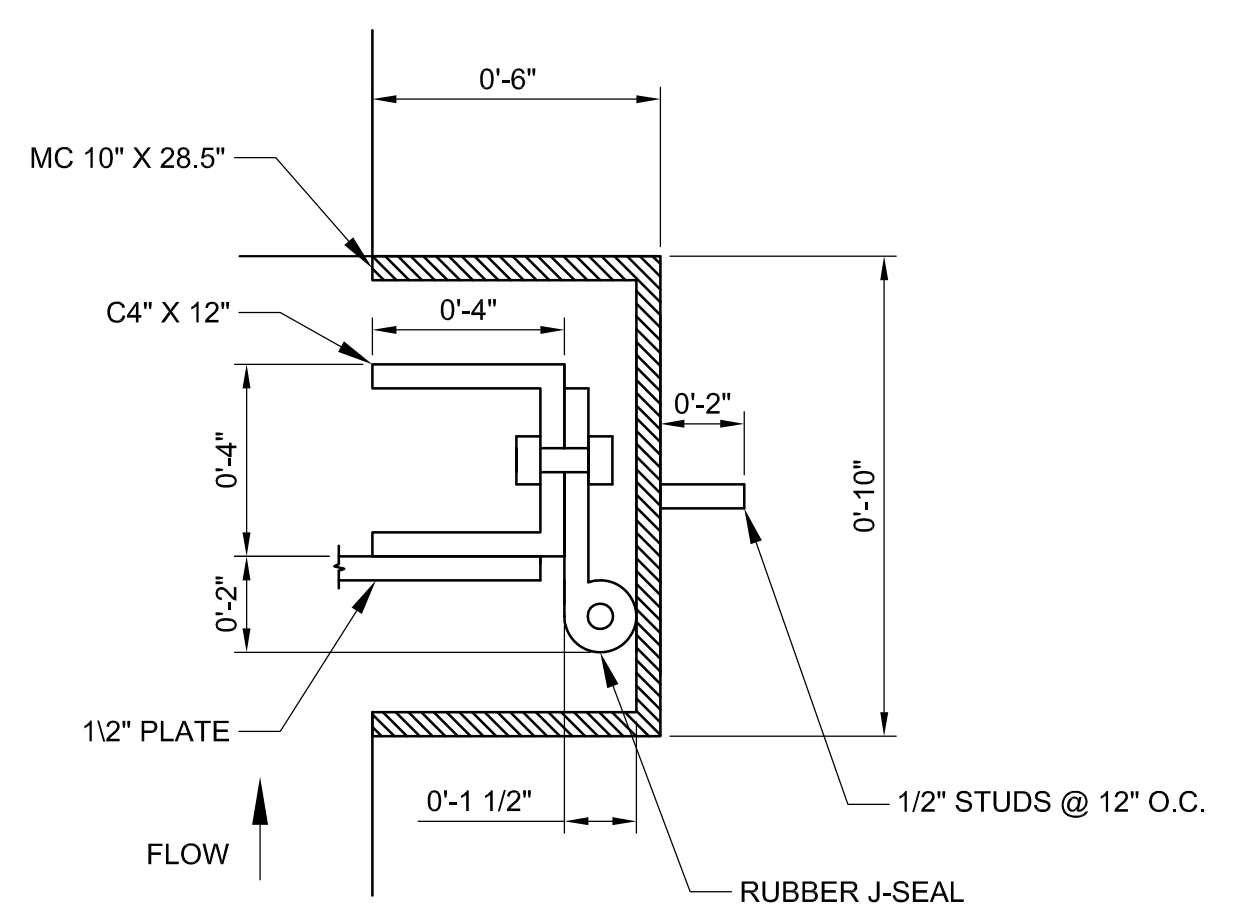
C-119



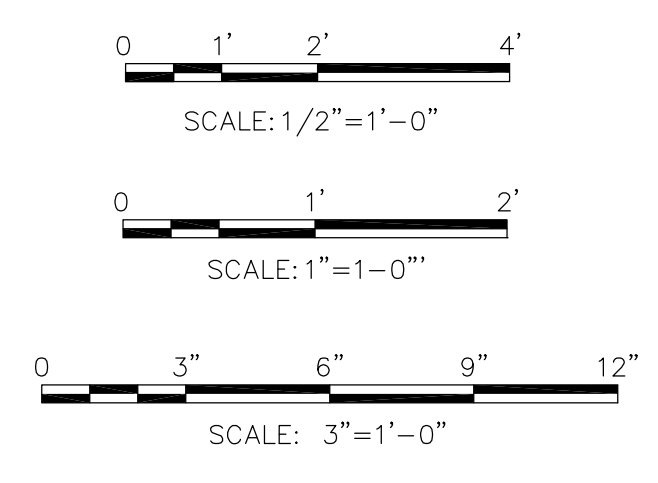
1 ISOLATION GATE AREA DETAIL
SCALE: 1" = 1'-0"



A ISOLATION GATE SECTION
SCALE: 1/2" = 1'-0"



B DETAIL B - ISOLATION GATE GUIDE SEAL
SCALE: 3" = 1'-0"



NOTES:
1. ALL ELEVATIONS IN NAVD88.

**ISSUED FOR 60% DESIGN REVIEW
- NOT FOR CONSTRUCTION -**

TETRA TECH
www.tetra.tech.com
160 Federal Street, 3rd Floor
Boston, MA 02110
Phone: (617) 443-7500 Fax: (617) 737-3480

PREPARED FOR:
**TOWN OF SCITUATE
DEPARTMENT OF PUBLIC WORKS**
600 CHIEF JUSTICE CUSHING HIGHWAY
SCITUATE, MASSACHUSETTS 02066
TEL: 781-548-4731

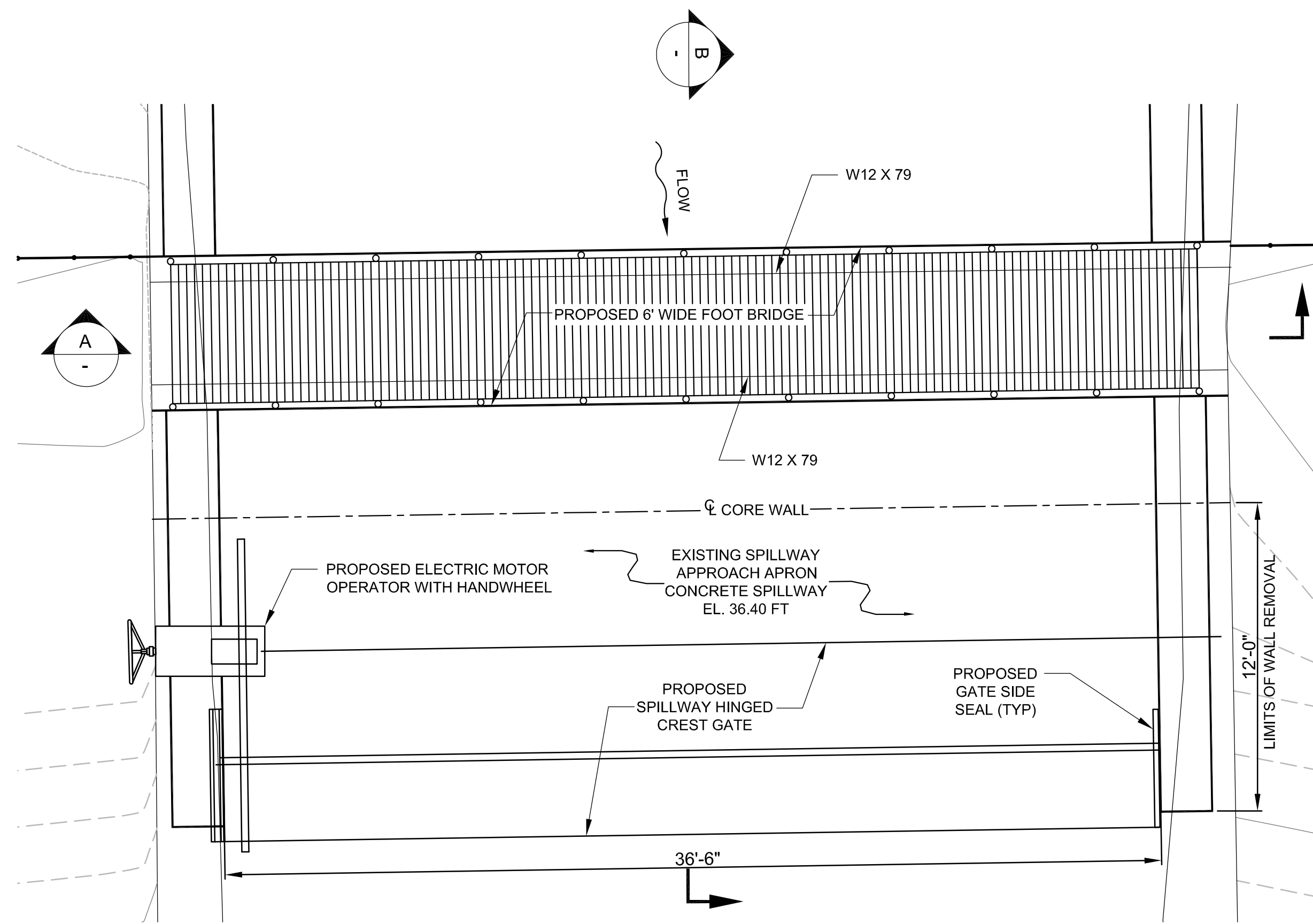
MARK	DATE	DESCRIPTION
A	06/28/17	ISSUED FOR 60% DESIGN REVIEW
TC		

RESERVOIR DAM WATER STORAGE AND FISH PASSAGE IMPROVEMENT PROJECT
SCITUATE, PLYMOUTH COUNTY, MASSACHUSETTS

**FISHWAY EXIT CHANNEL
ISOLATION GATE DETAILS**

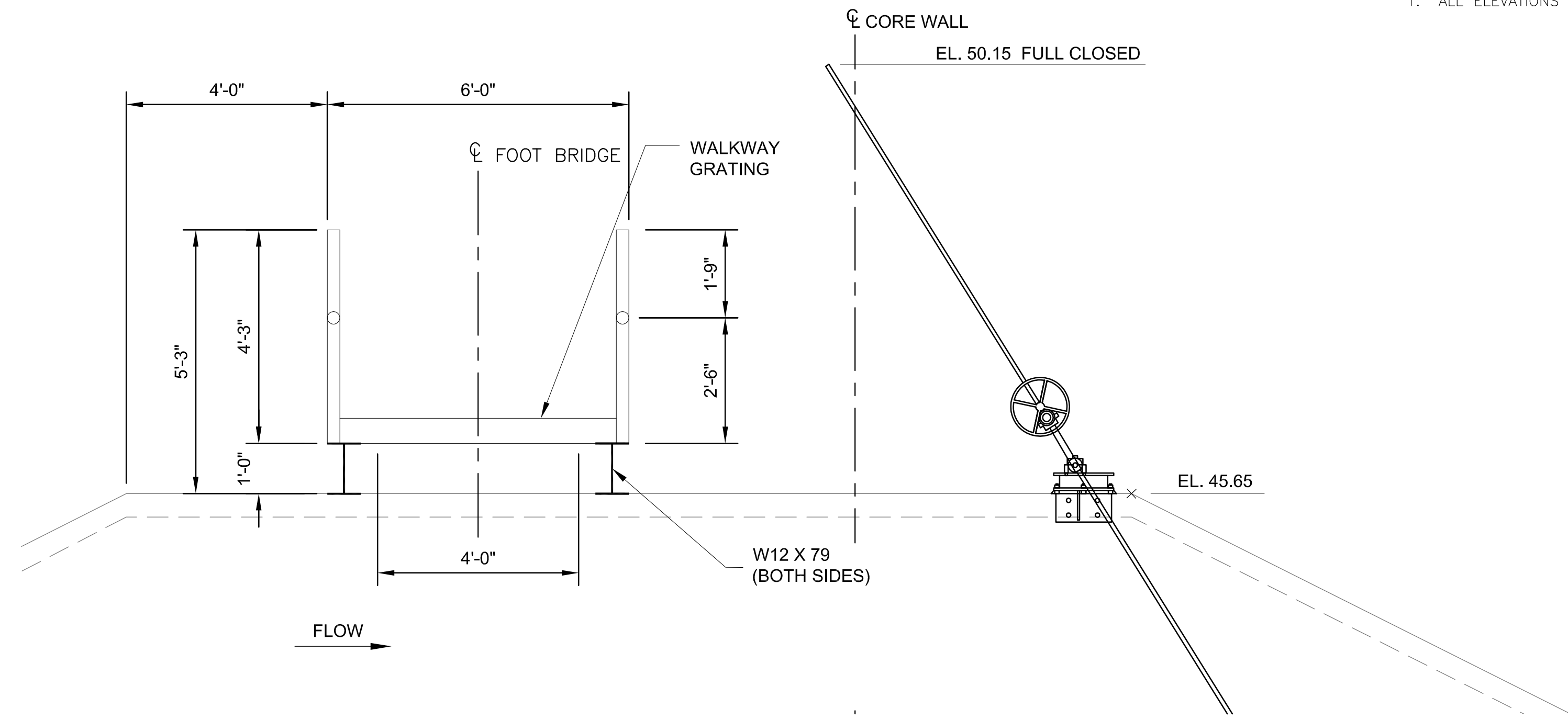
Project No.:	194-5938
Designed By:	T. Cook
Drawn By:	F. Menichelli
Checked By:	M. Worthy

S-201



SPILLWAY ACCESS BRIDGE PLAN

SCALE: 1/4" = 1'-0"

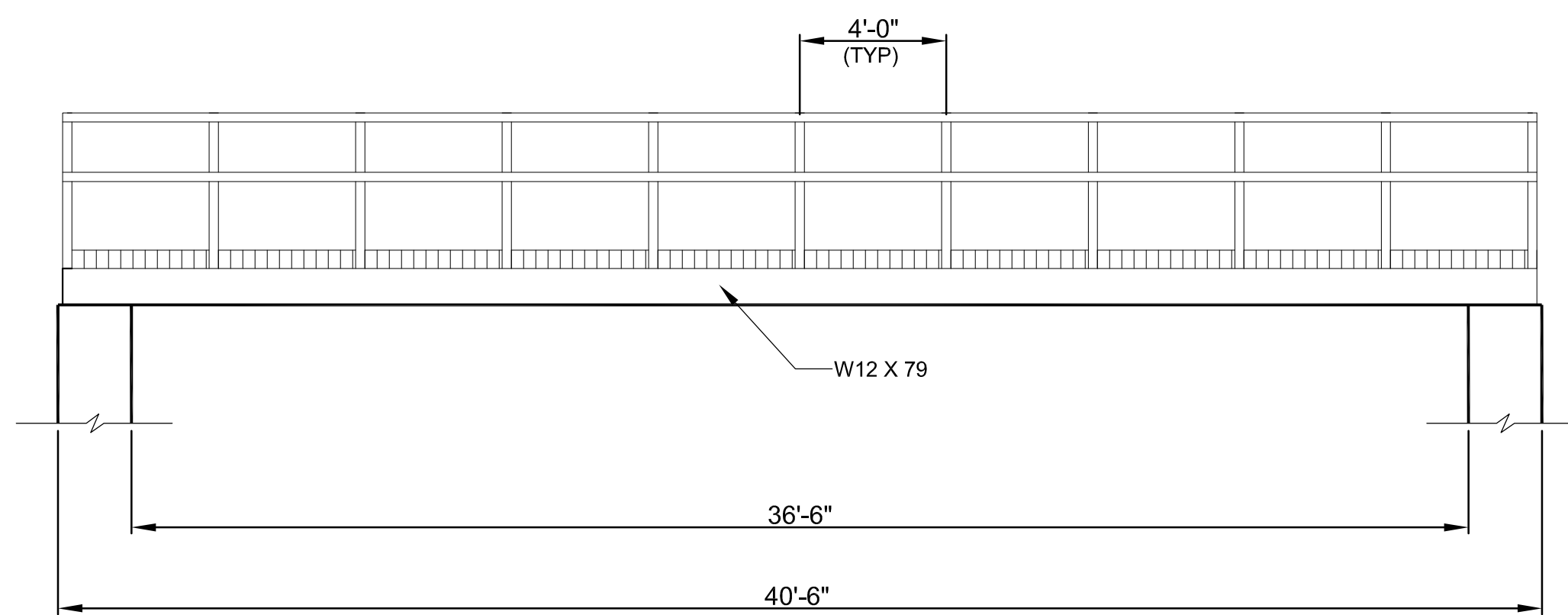
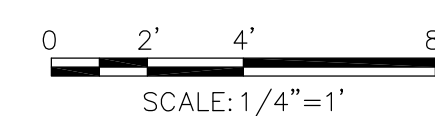
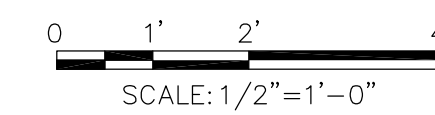


SPILLWAY ACCESS BRIDGE - SECTION B

SCALE: 1/2" = 1'-0"

NOTES:

1. ALL ELEVATIONS IN NAVD88.



SPILLWAY ACCESS BRIDGE - SECTION A

SCALE: 1/4" = 1'-0"



www.tetra.tech.com
160 Federal Street, 3rd Floor
Boston, MA 02110
Phone: (617) 443-7500 Fax: (617) 737-3480

PREPARED FOR:
**TOWN OF SCITUATE
DEPARTMENT OF PUBLIC WORKS**
600 CHIEF JUSTICE CUSHING HIGHWAY
SCITUATE, MASSACHUSETTS 02066
TEL: 781-546-4373

MARK	DATE	DESCRIPTION
A	06/28/17	ISSUED FOR 60% DESIGN REVIEW
TC		

RESERVOIR DAM WATER STORAGE AND FISH PASSAGE IMPROVEMENT PROJECT
SCITUATE, PLYMOUTH COUNTY, MASSACHUSETTS

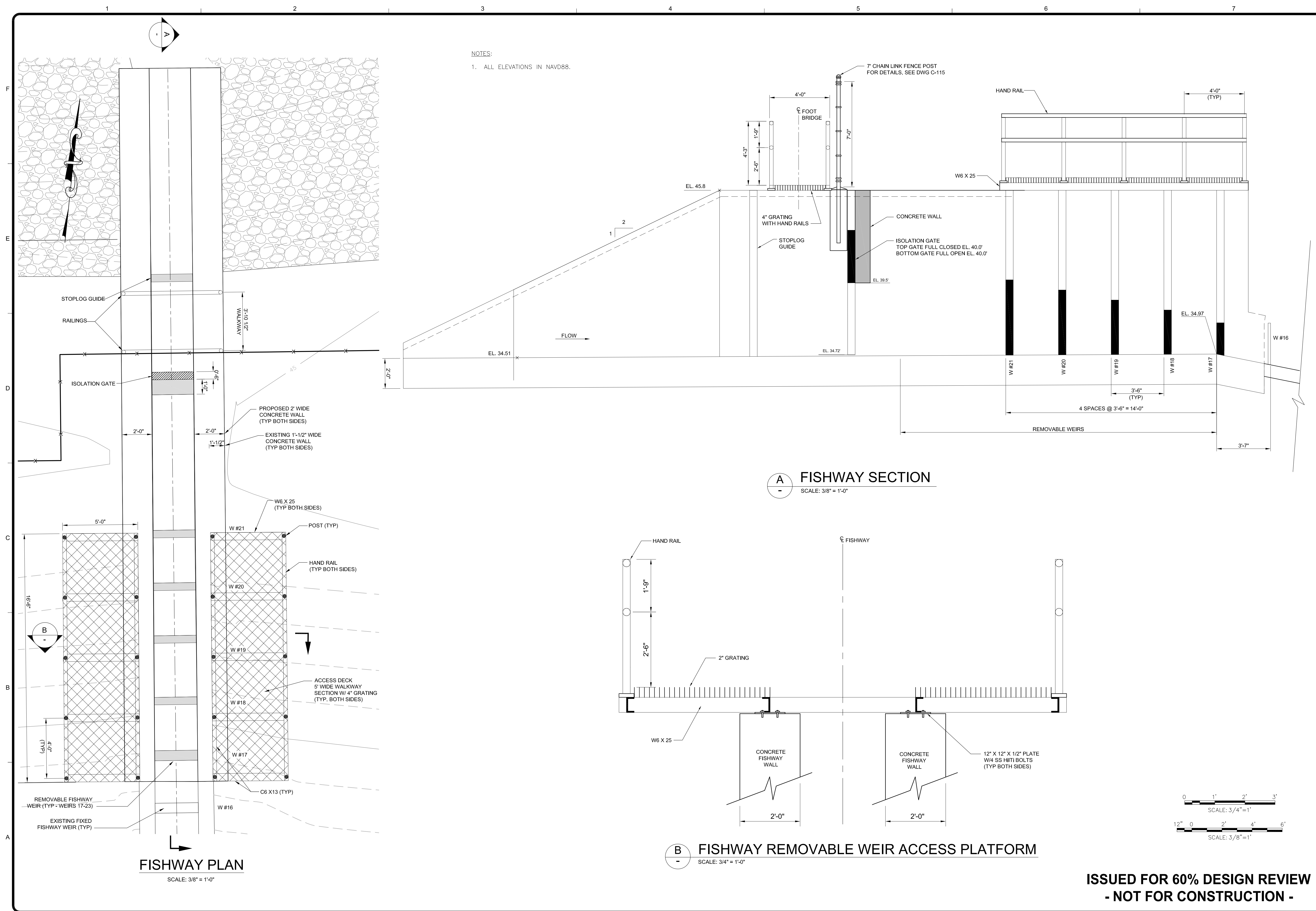
**SPILLWAY AND FISHWAY
ACCESS BRIDGE
STRUCTURAL STEEL DETAILS**

Project No.: 194-5938
Designed By: T. Cook
Drawn By: F. Menichelli
Checked By: M. Worthy

S-204

**ISSUED FOR 60% DESIGN REVIEW
- NOT FOR CONSTRUCTION -**

6/28/2017 1:00:11 PM - D:\CAD-TEMP FILES\PROJECTS\...SITUATE RESERVOIR DAM-4961 (CAD-60% DESIGN)\WORKING\WORKING-60%_REV C DRAWINGS\4961_12_S-205-REV A.DWG - MENCHIELLI, FOSTER

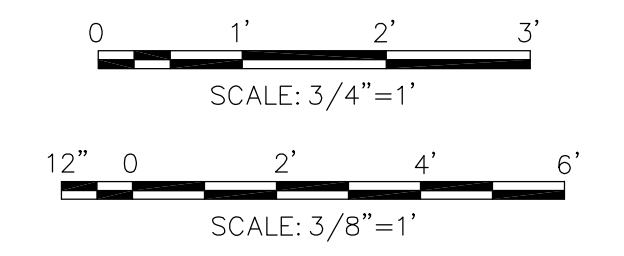


NOTES:
1. ALL ELEVATIONS IN NAVD88.

A FISHWAY SECTION
SCALE: 3/8" = 1'-0"

B FISHWAY REMOVABLE WEIR ACCESS PLATFORM
SCALE: 3/4" = 1'-0"

FISHWAY PLAN
SCALE: 3/8" = 1'-0"



ISSUED FOR 60% DESIGN REVIEW
- NOT FOR CONSTRUCTION -



PREPARED FOR:
TOWN OF SITUATE
DEPARTMENT OF PUBLIC WORKS
600 CHIEF JUSTICE CUSHING HIGHWAY
SITUATE, MASSACHUSETTS 02066
TEL: (978) 546-4731

MARK	DATE	DESCRIPTION
A	06/28/17	ISSUED FOR 60% DESIGN REVIEW

RESERVOIR WATER STORAGE AND FISH PASSAGE IMPROVEMENT PROJECT
SITUATE, PLYMOUTH COUNTY, MASSACHUSETTS
FISHWAY REMOVABLE WEIR ACCESS PLATFORM DETAILS

Project No.: 194-5938
Designed By: T. Cook
Drawn By: F. Menichelli
Checked By: M. Worthy

S-205

Copyright: Tetra Tech